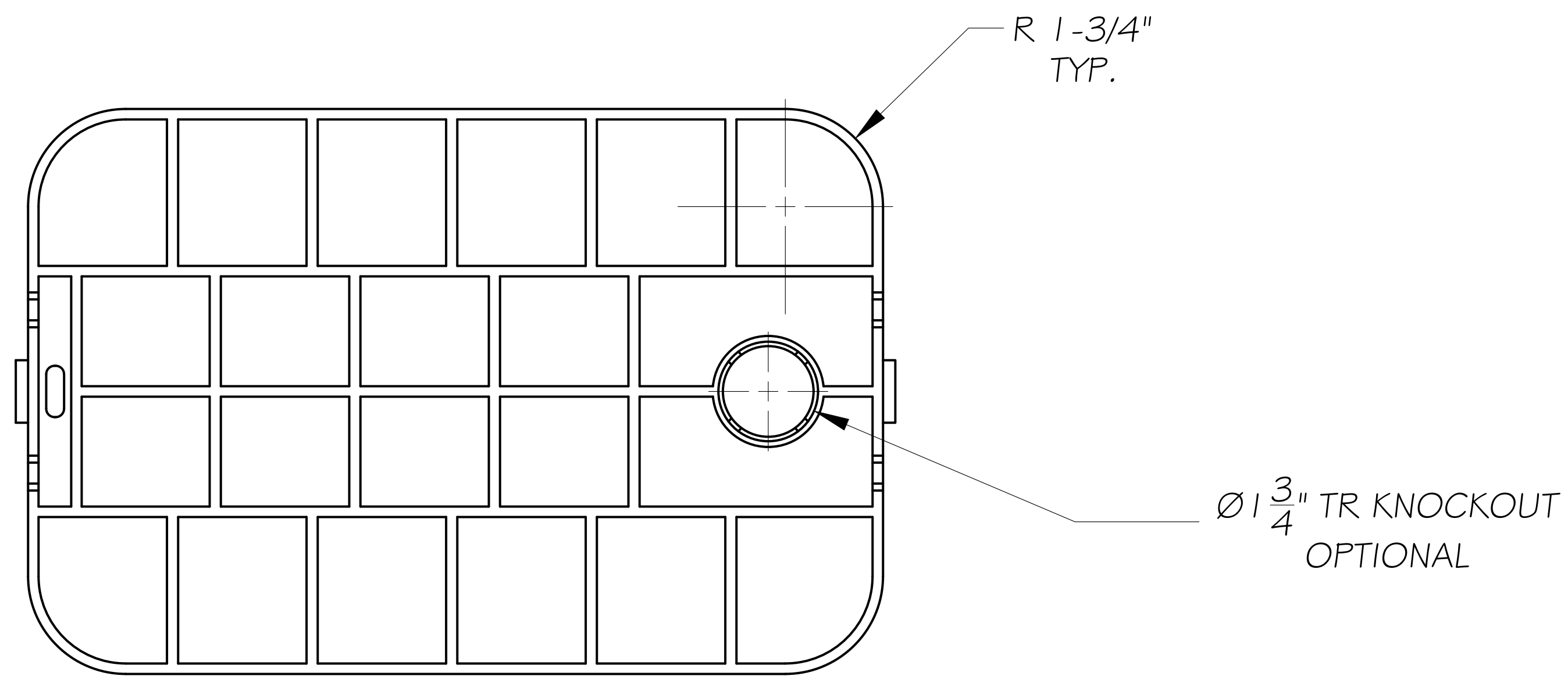
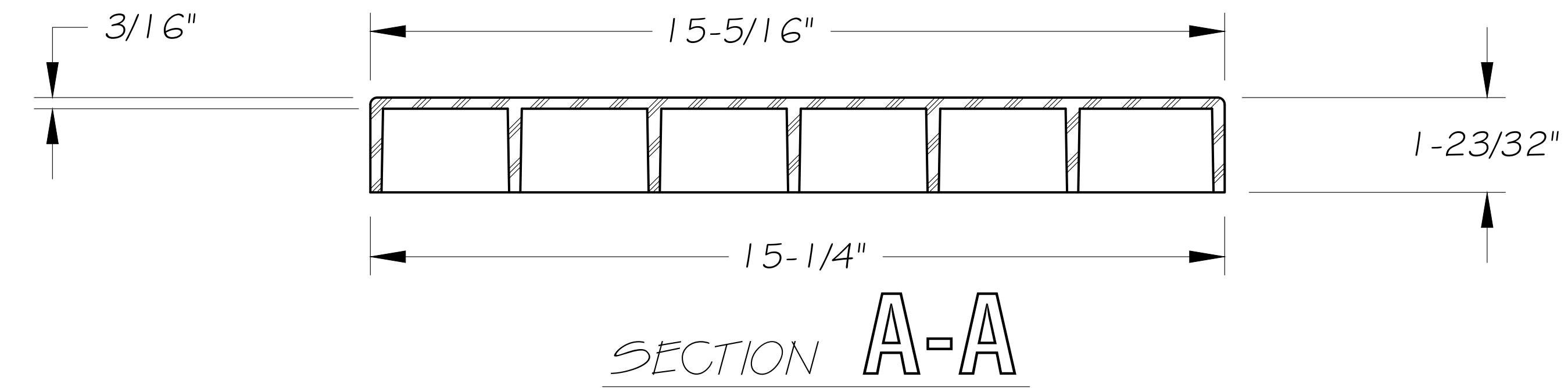
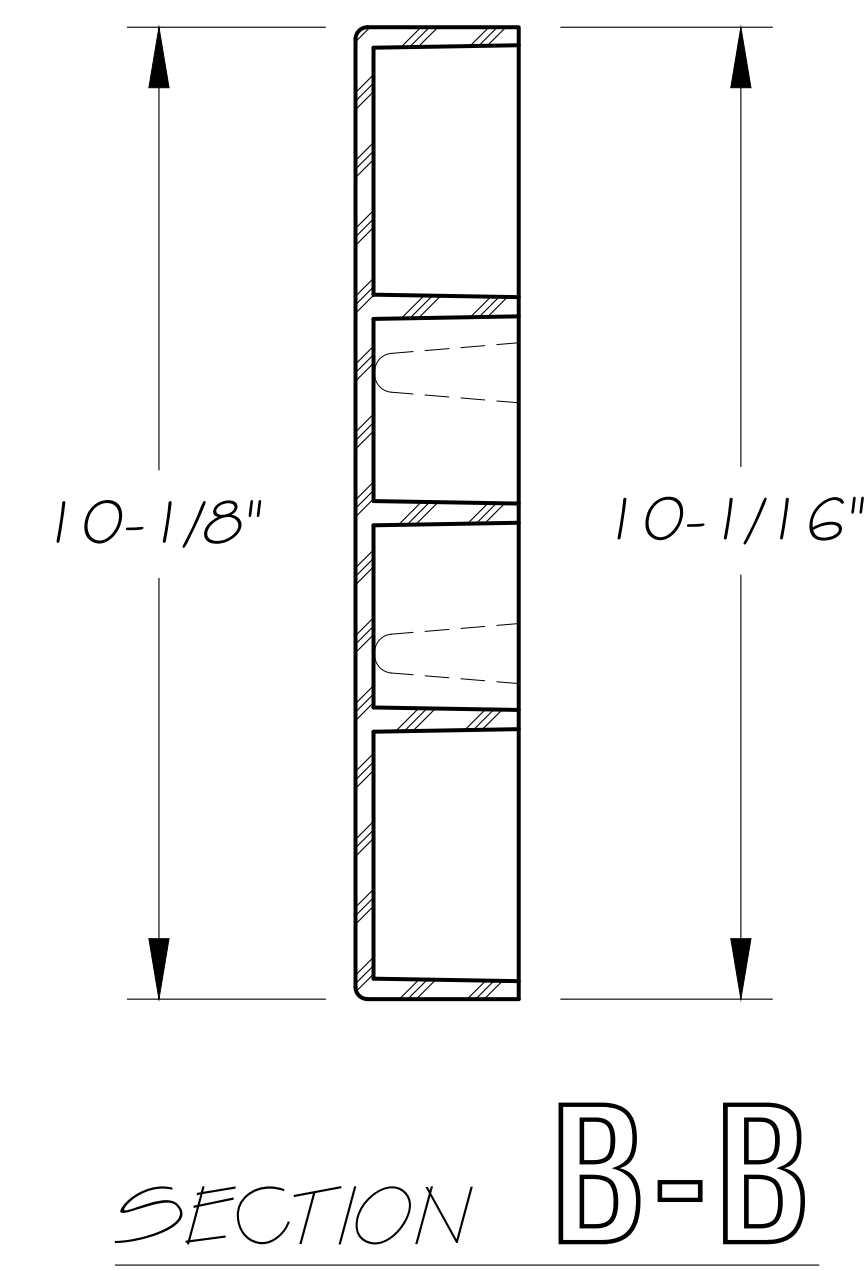
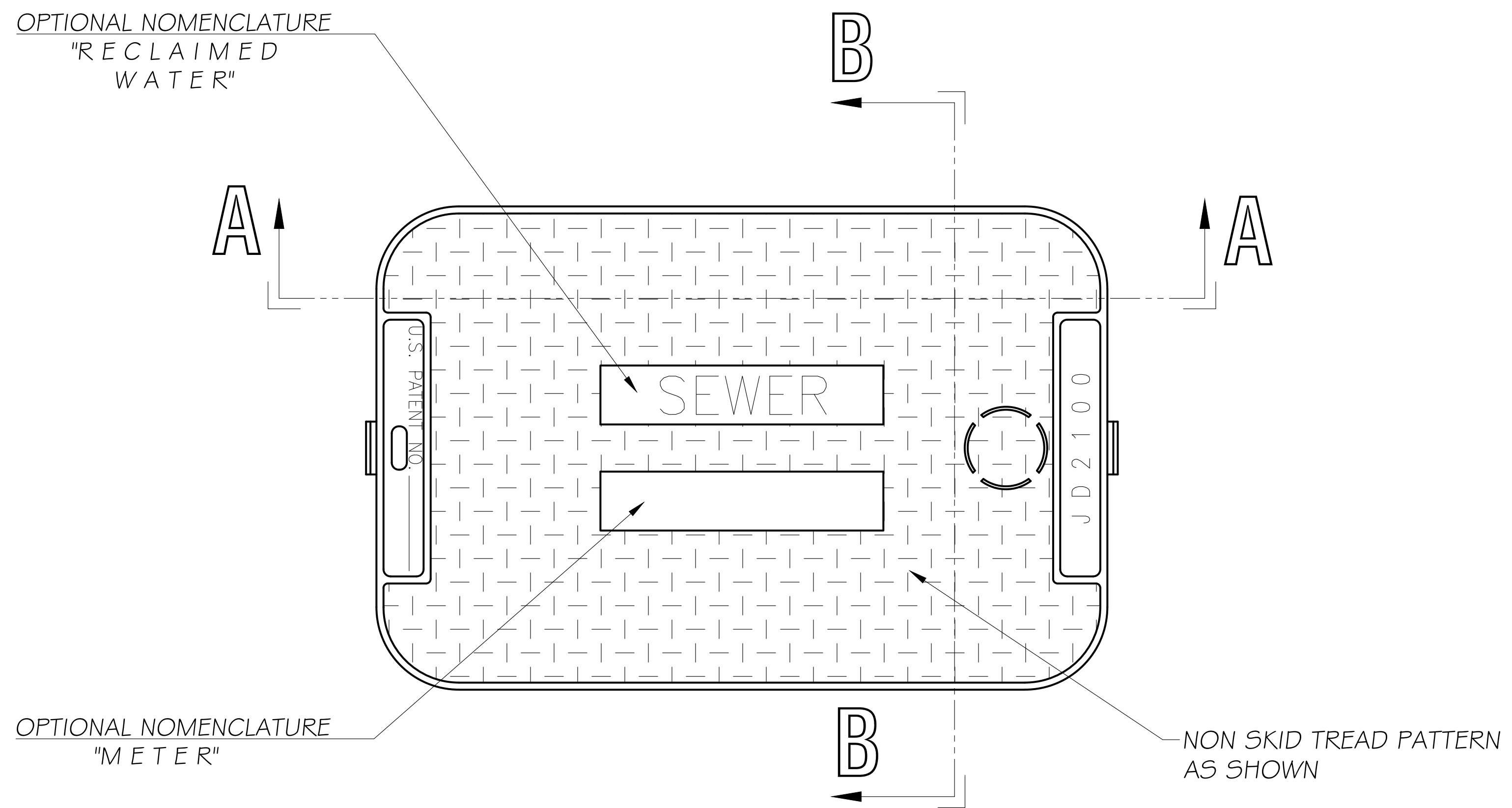


REVISIONS		
NO.	DESCRIPTION	DATE
--	-----	-----



**Features and Specifications:**

- Material: UV Stabilized Polypropylene
- Estimated Weight: 1 lb 12 oz
- Colors: Black, Green, Or Purple Flex Lock
- Special Markings Available
- Pedestrian, ASTM C857 : Light Duty Non-Vehicular Traffic Situations Only. Actual Load Rating Varies by Box and Lid Combination
- Field Modifications With Any Cutting Tool
- Made in the USA

**JD2102SBL ~ 1-3/4" DIA. TR KNOCKOUT  
RECESSED FLUSH COVER**

<b>UTILITY PLASTICS</b>		DESCRIPTION: JD2102SBL 1-3/4 TR KNOCKOUT		
TOLER UNLESS SPECIFIED	MATERIAL	SCALE=1:2	DRAWN	DATE
FRACTIONAL = 1/64 DECIMAL XXX ± .005 DECIMAL XX ± .01 ANGULAR ± 1/2°	UV Stabilized Polypropylene	BREAK ALL SHARP EDGES .03 MIN.	S. CORDES	03-04-21
			REVISION	00
			SHEET	1 OF 1
			DRAWING NO:	TLD2102