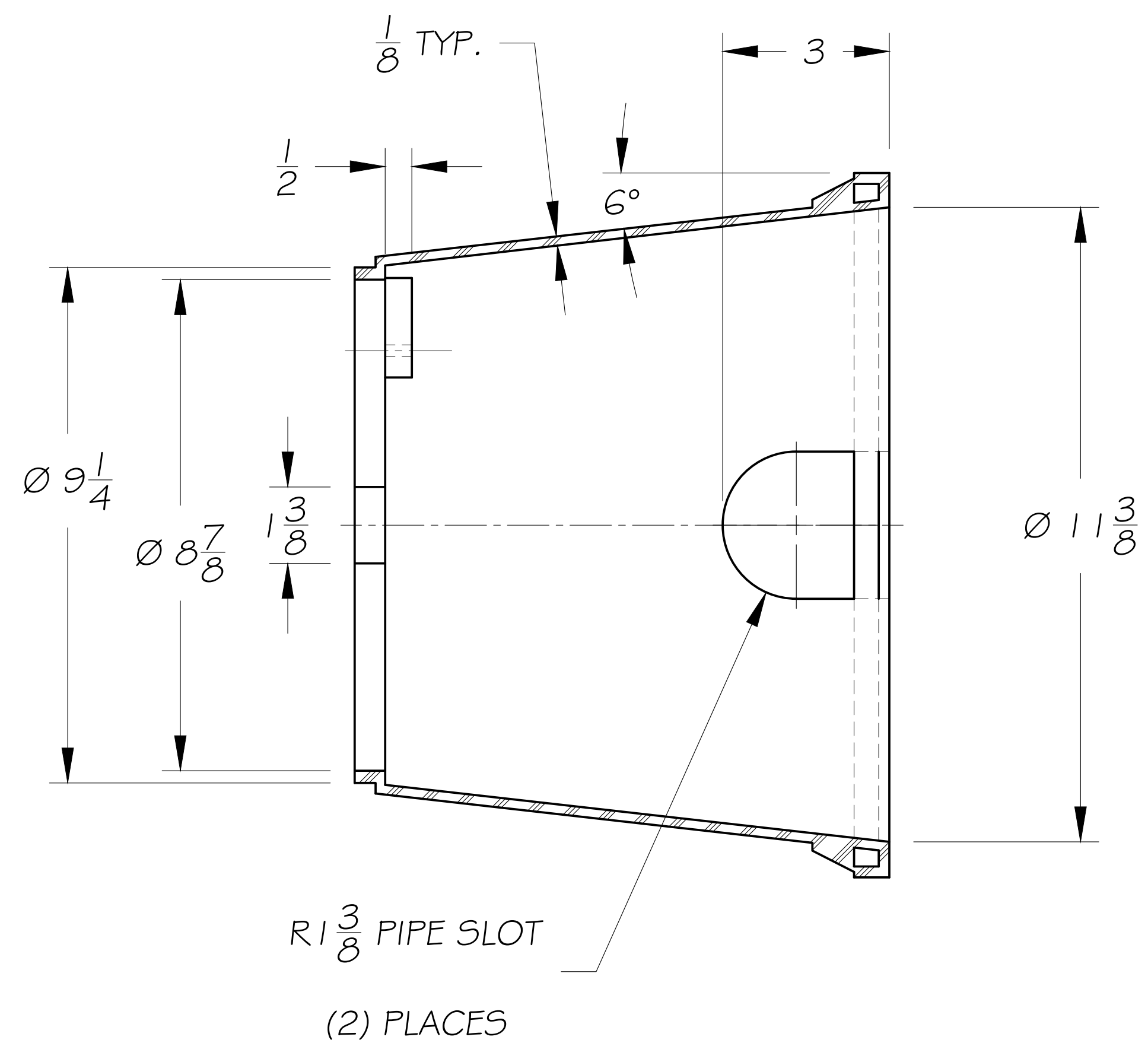
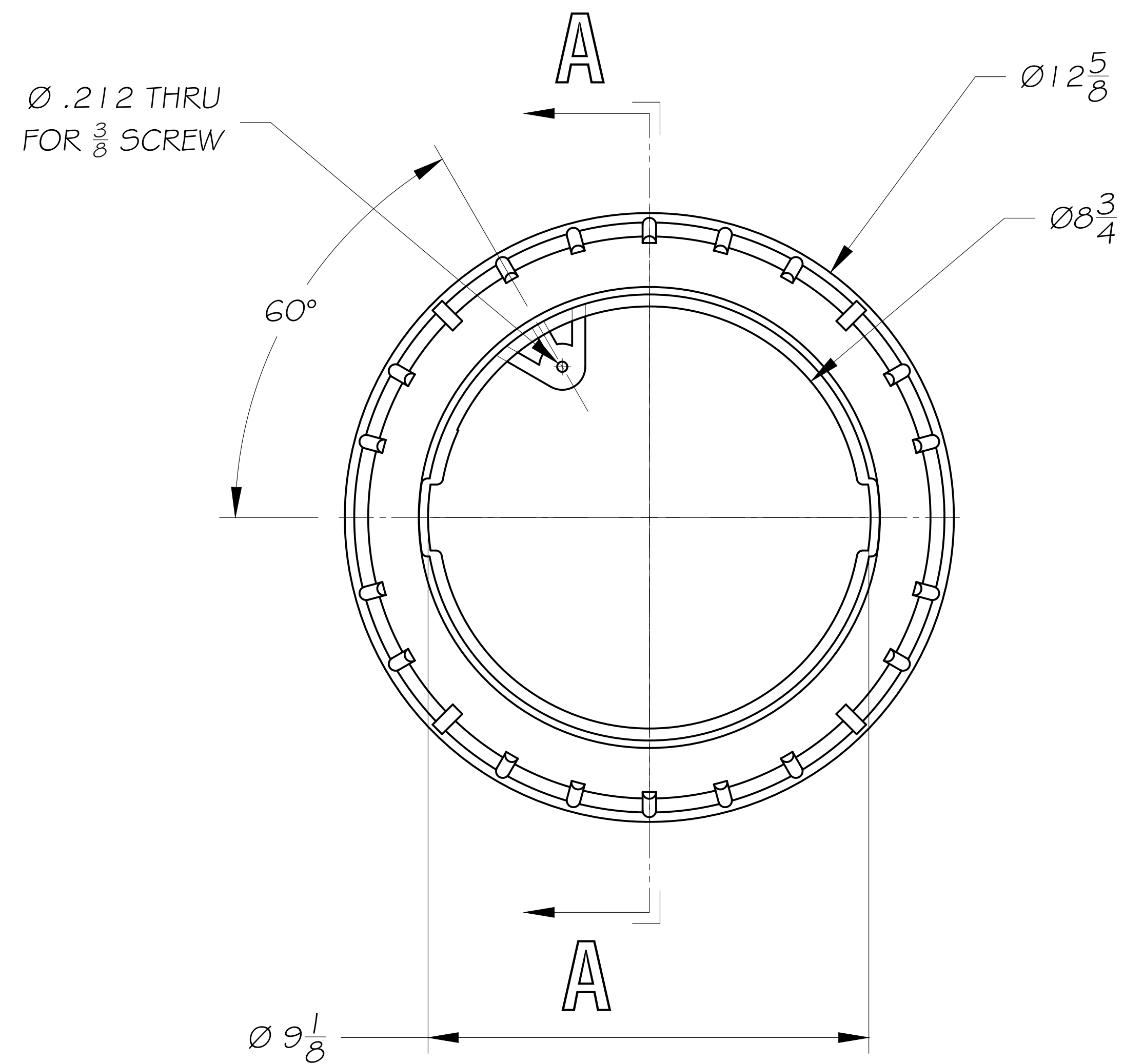
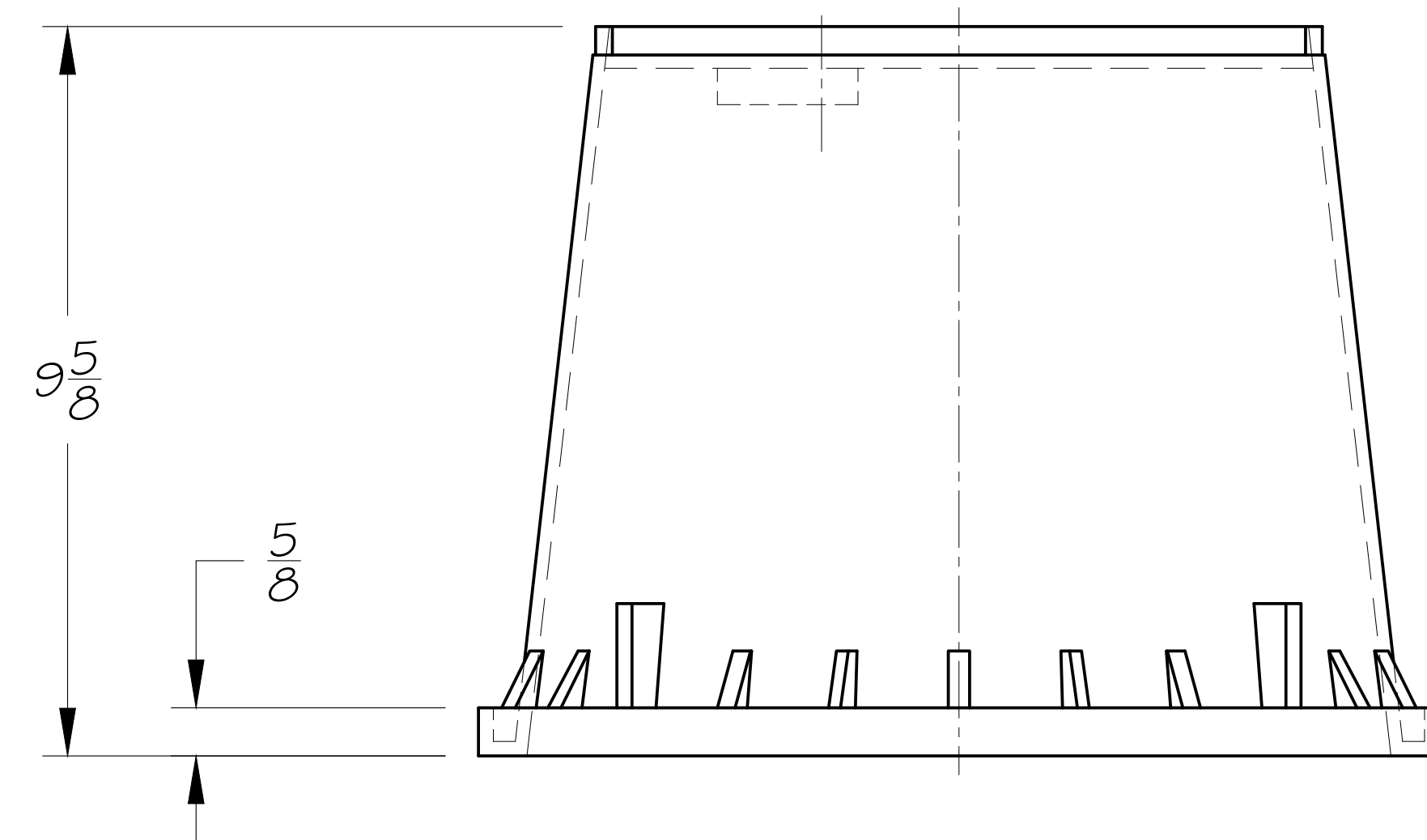


REVISIONS		
NO.	DESCRIPTION	DATE
1	REV TO UTILITY PLASTICS	01-04-22



SECTION A-A



Features and Specifications:

- Material: UV Stabilized Polypropylene
- Estimated Weight: 2 lb 4oz
- Color: Black
- Reinforced Bottom Edge For Retained Shape
- Twist Lock Lid For Preventing Mower Suction and Blade Damage
- Mouseholes And Knockouts For Pipe Configurations
- Light Duty – Pedestrian Traffic Only – ASTM C857
- Field Modifications With Any Cutting Tool
- Made in the U.S.A.

JD1001 ~ 10" ROUND BODY

Drawing is the Property of UTILITY PLASTICS

THIS DRAWING DISCLOSES CONFIDENTIAL AND OTHER DATA OF A PROPRIETARY NATURE OWNED BY UTILITY PLASTICS AND MAY NOT BE USED OR REPRODUCED TO OTHERS WITHOUT THE PRIOR WRITTEN CONSENT OF UTILITY PLASTICS

UTILITY PLASTICS		DESCRIPTION: JD1001 ROUND BODY			
TOLERANCES UNLESS SPECIFIED	MATERIAL	SCALE=1:2	DRAWN	DATE	REVISION
FRACTIONAL: $\pm 1/64$	UV Stabilized Polypropylene	BREAK ALL SHARP EDGES .03 MIN.	S. CORDES	03-18-2021	_01
DECIMAL: .XXX $\pm .005$					SHEET _1_ OF _1_
DECIMAL: .XX $\pm .01$					DRAWING NO: TLD1001
ANGULAR: $\pm 1/2^\circ$					