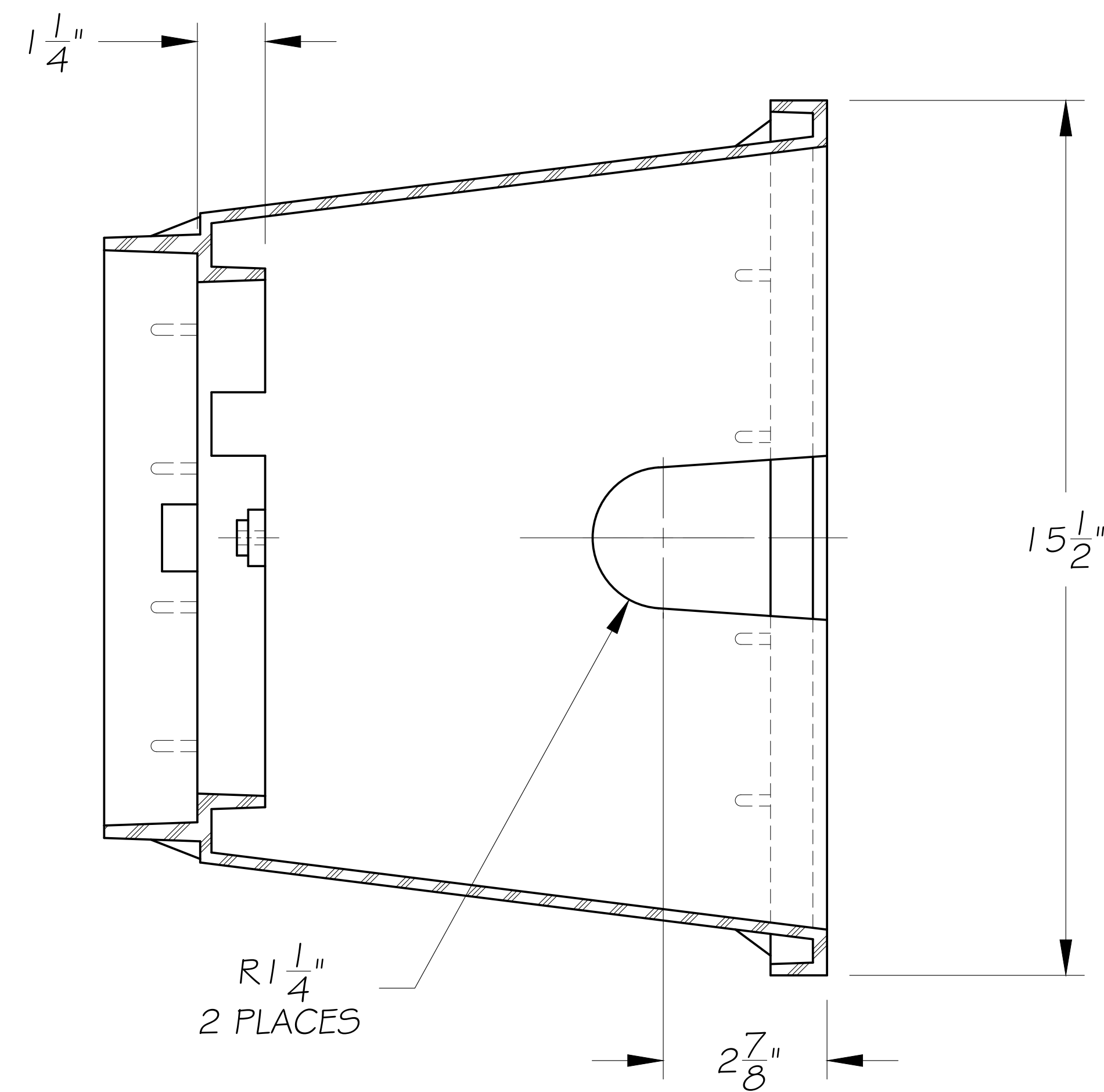
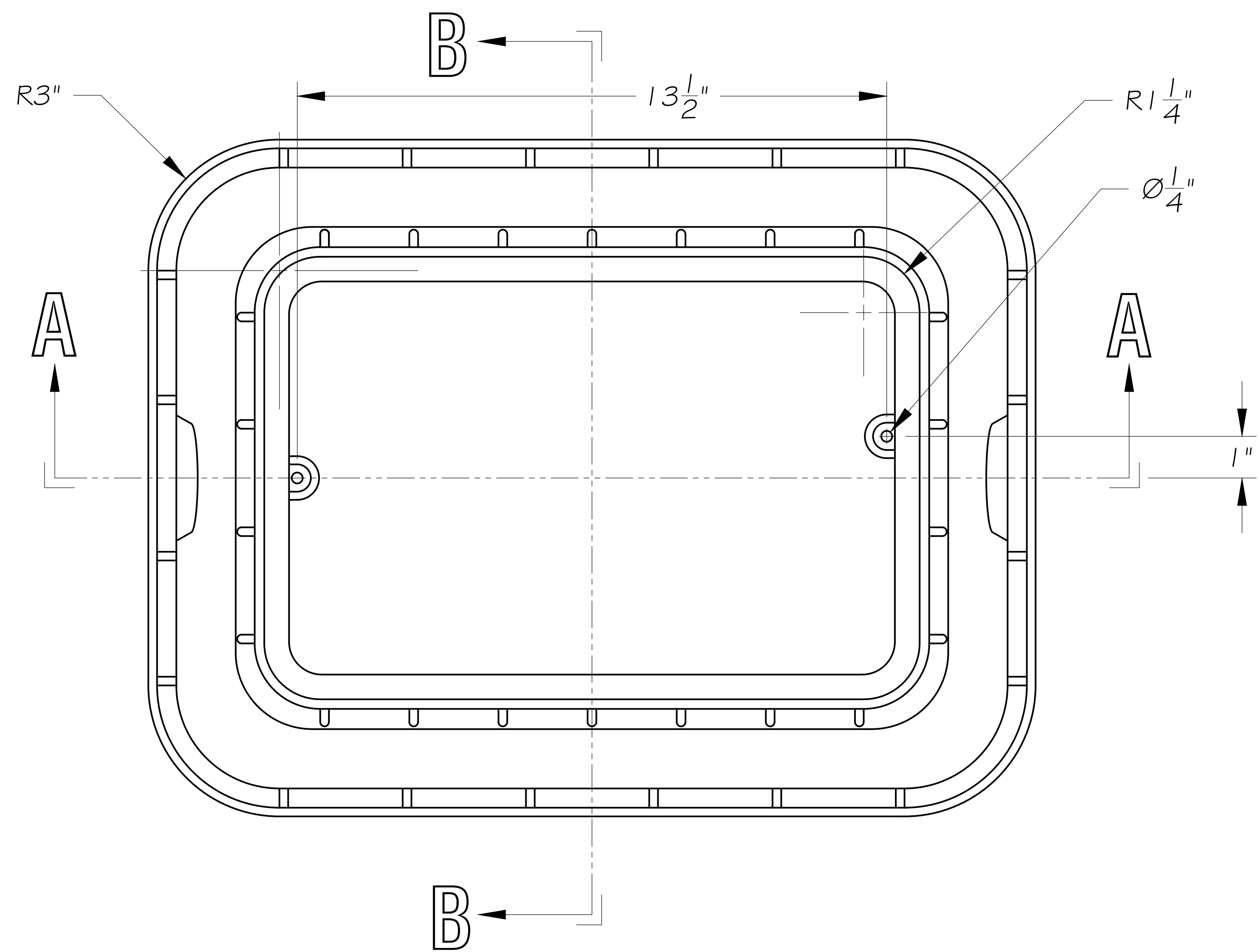
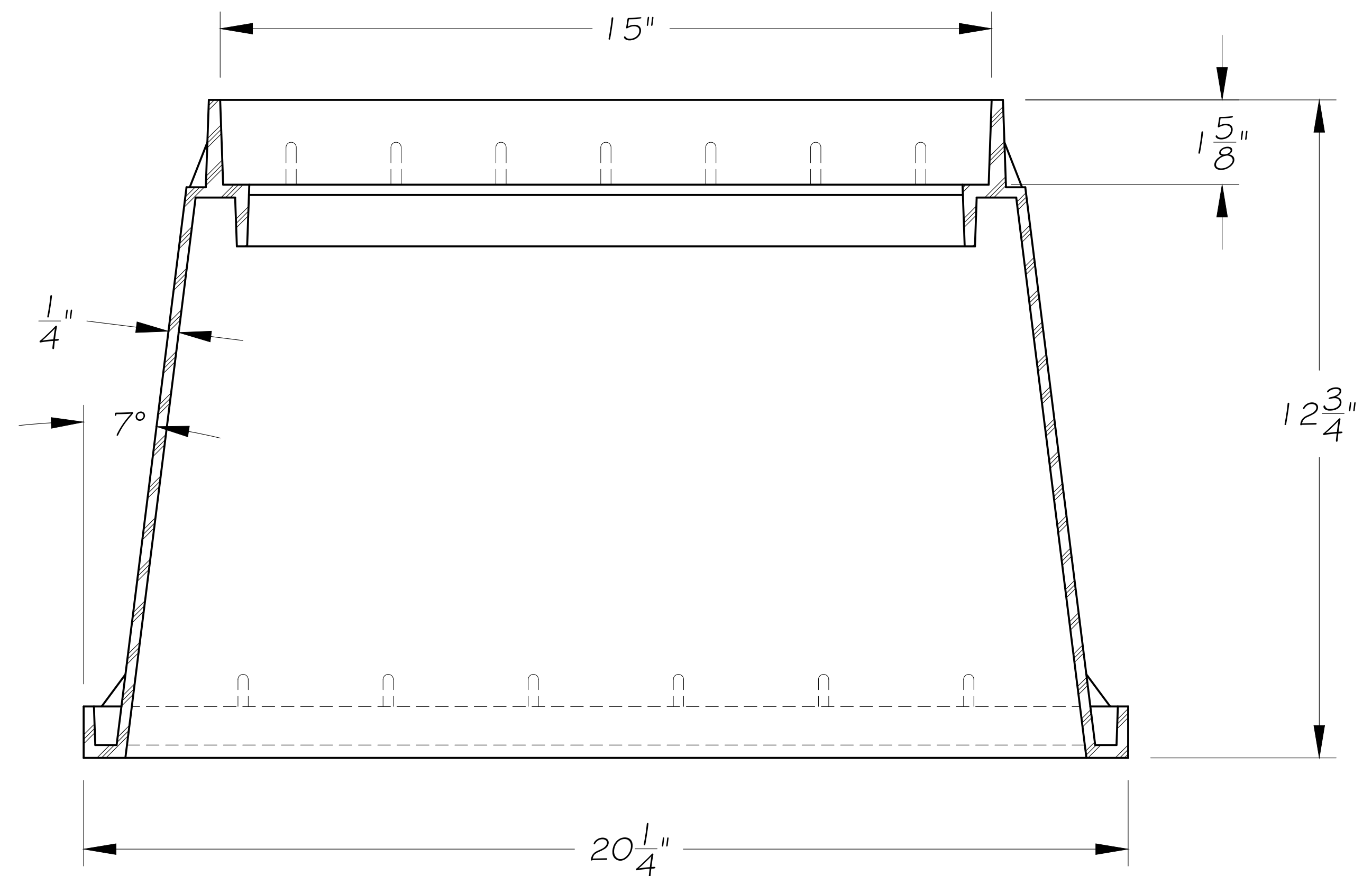


REVISIONS		
NO.	DESCRIPTION	DATE
I	REV TO UTILITY PLASTICS	01-04-22



SECTION B-B



SECTION A-A

JD2001 METER BOX BASE

Features and Specifications:

- Material: UV Stabilized Polypropylene
- Estimated Weight: 5 lb 0 oz
- Color: Black
- Mouseholes And Knockouts For Pipe Configurations
- Pedestrian, ASTM C857 : Light Duty Non-Vehicular Traffic Situations Only. Actual Load Rating Varies by Box and Lid Combination
- Field Modifications With Any Cutting Tool
- Made in the U.S.A.

UTILITY PLASTICS		DESCRIPTION:			
		JD2001 METER BOX BASE			
TOLERANCES UNLESS SPECIFIED	MATERIAL	SCALE=1:2	DRAWN	DATE	REVISION
FRACTIONAL ± 1/64 DECIMAL .XX ± .005 ANGULAR ± 1/2°	UV Stabilized Polypropylene	BREAK ALL SHARP EDGES .03 MIN.	S. CORDES	07-20-21	SHEET 1 OF 1
					DRAWING NO: TLD2001