

JD2100 SERIES



DIMENSIONS:

FLUSHMOUNT LID =	10" X 15"
OVERLAP LID =	11" X 16"
DEPTH =	12"
FLARED BASE =	16" X 21"

DETAILS:

- Material: UV Stabilized Polypropylene
- Estimated Weight: 6 lb. 10 oz. plus 1 lb. 12 oz. lid
- Base Color: Black
- Lid Color: Green, Black, Blue, Purple, Gray, Tan
- Custom logo available to be stamped in lid
- EMS marker available for locating purposes
- Mouseholes and knockouts for pipe configurations
- ASTM C857: Pedestrian, light duty non-vehicular traffic situations only. Actual load rating varies by box and lid combination

NEW 2023' – TIER 8 RATED

NEW FOR 2023'

6" EXTENSION ALLOWING AN INTERNAL DEPTH OF 18" WHEN INSTALLED ATOP ANY OF THE JD2100 SERIES BOX LINE

PART # JD2100-6EXT

NO HARDWARE NEEDED

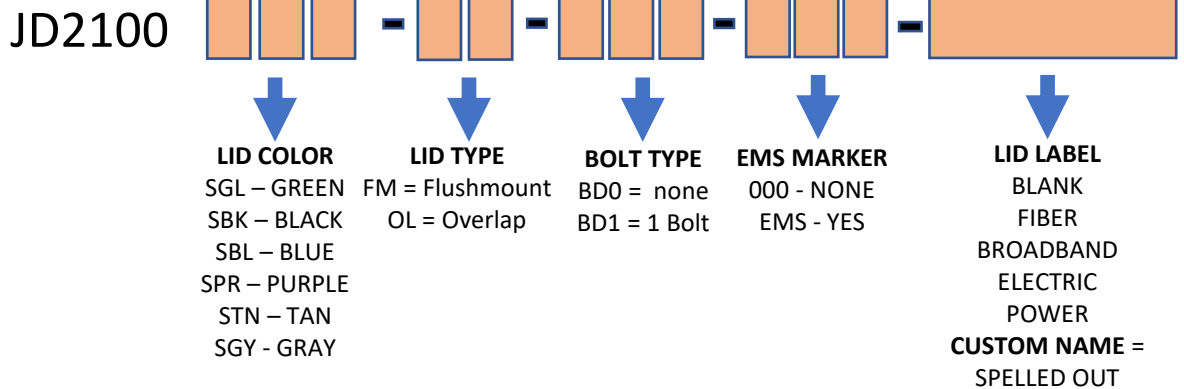
SHIPS SEPARATE FROM JD2100

SHIPS 108 PER PALLET



JD2100-SGL-FM-BD0-000-BLANK Shown with JD2100-6EXT

ORDERING GUIDE



EXAMPLE = JD2100-SGL-FM-BD1-EMS-FIBER

This would be a 11" X 16" X 12" BOX with Green Lid, Flush-mount, locking, EMS installed and Fiber logo

SPECIFICATIONS

