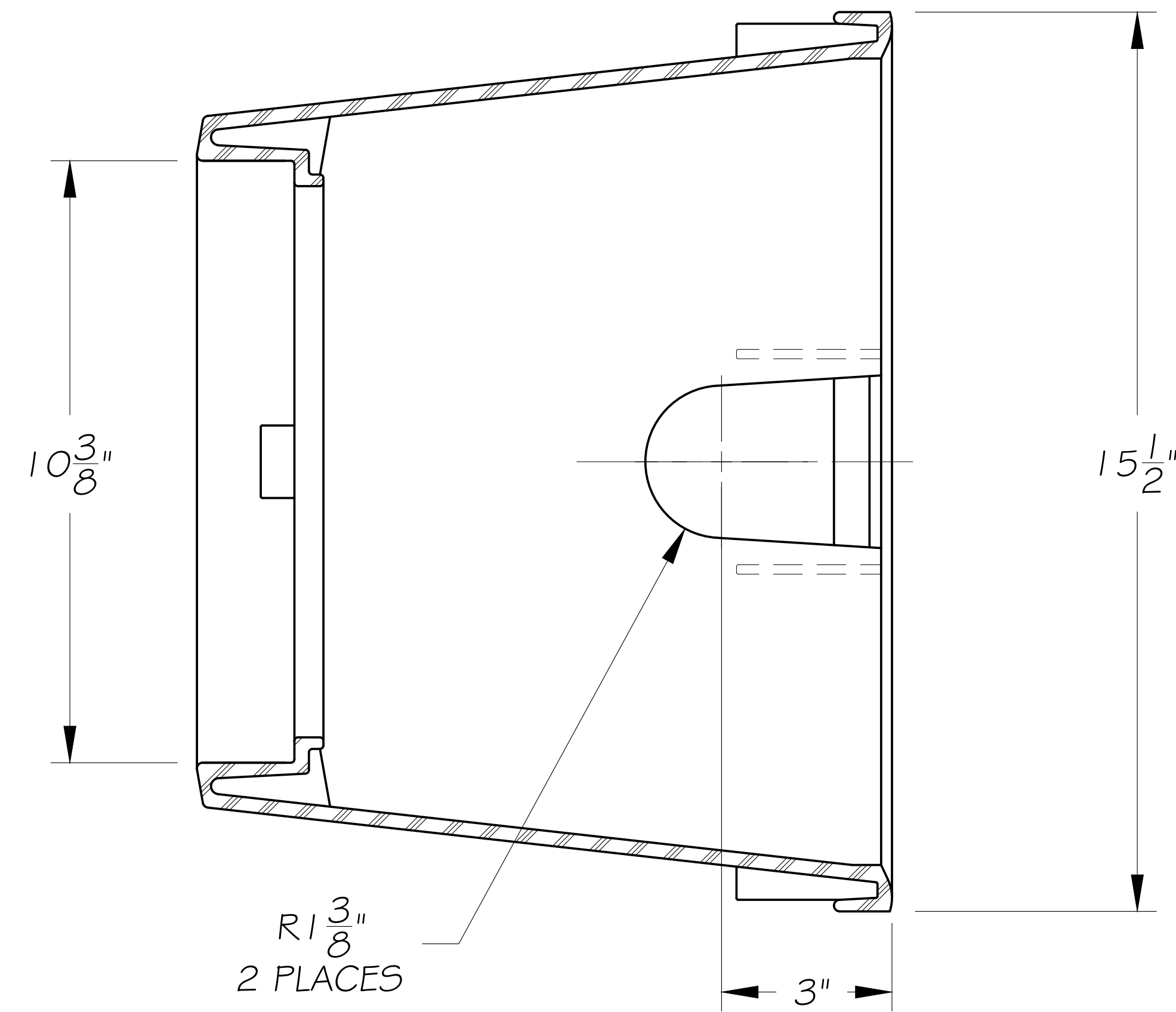
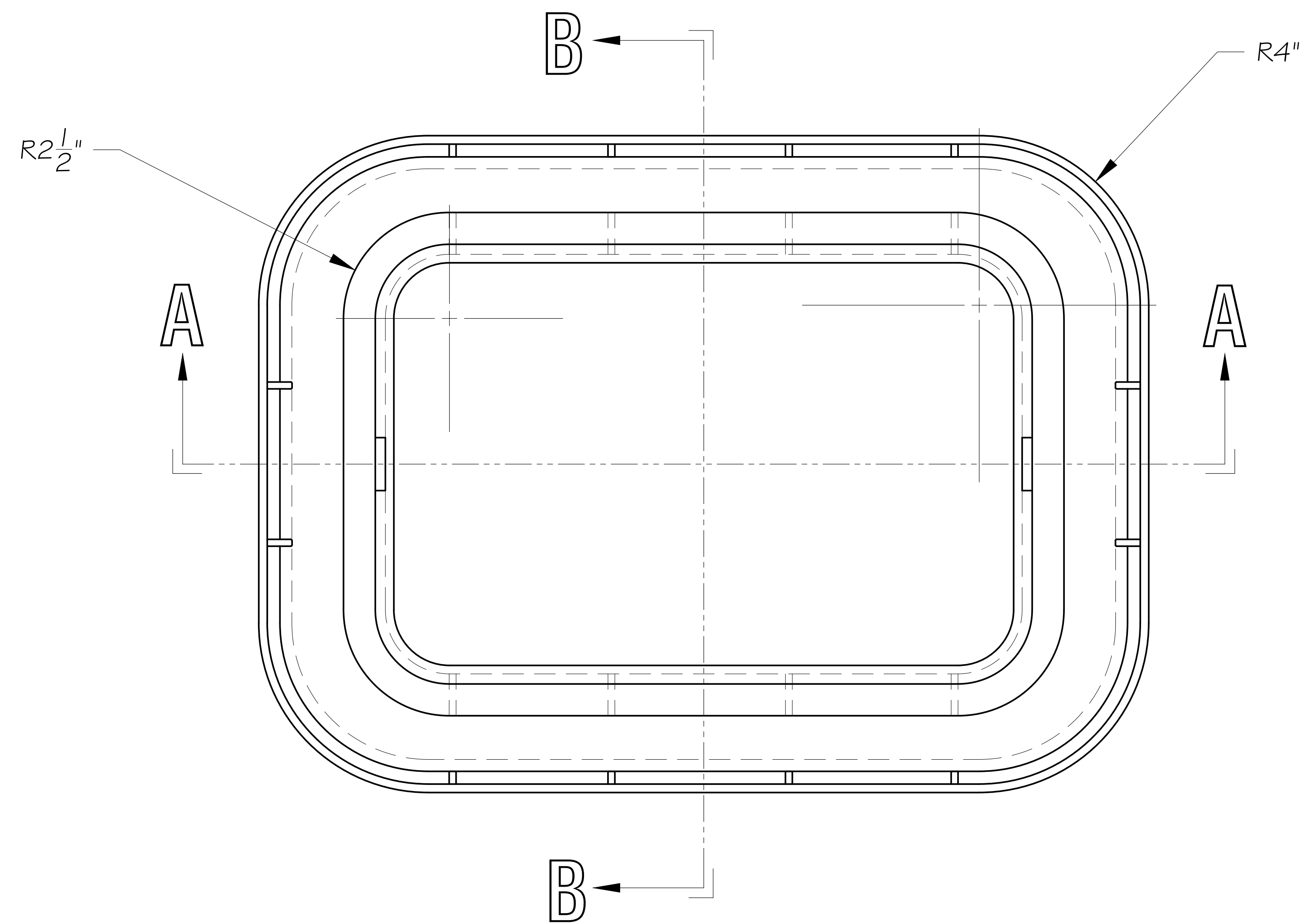
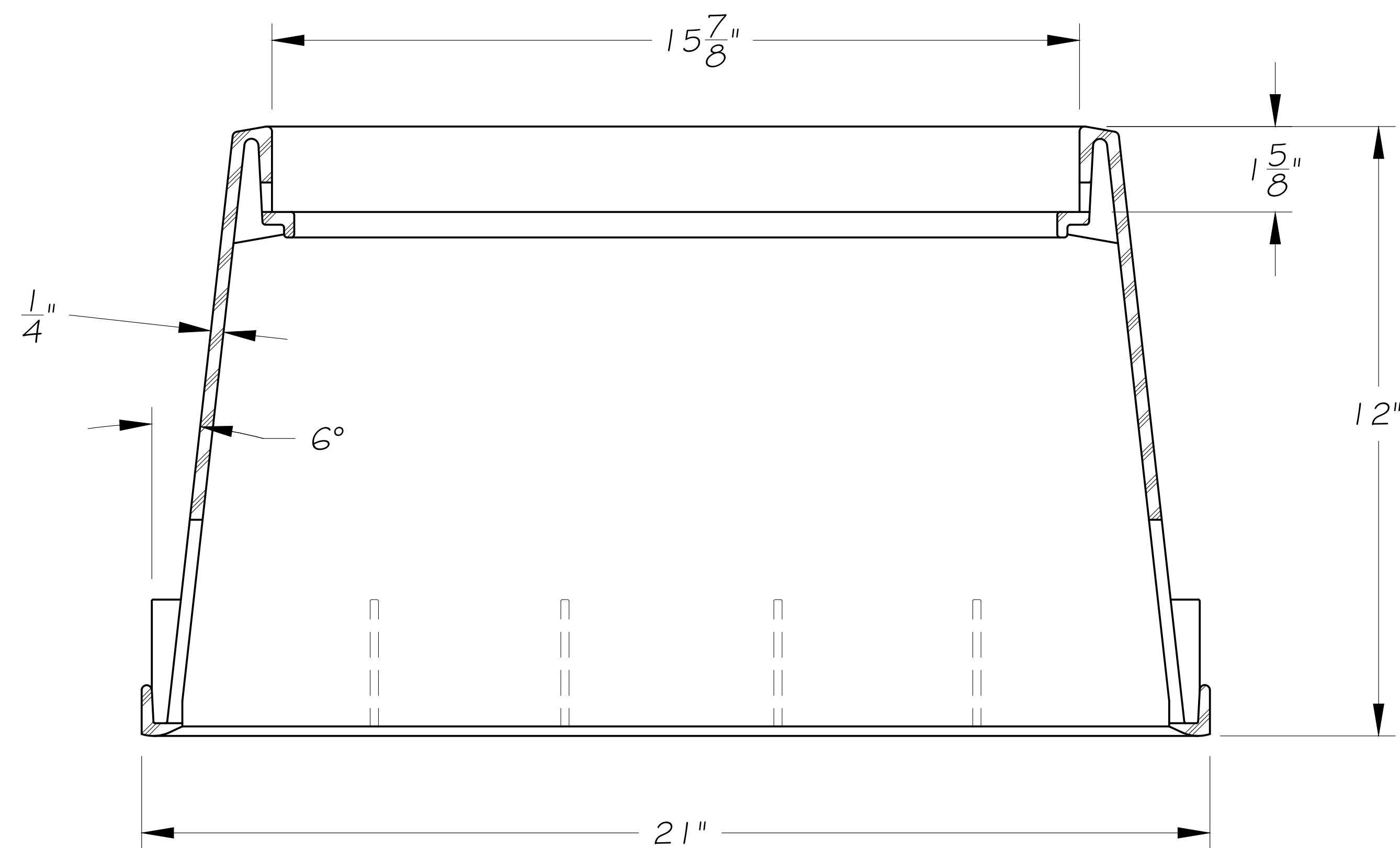


REVISIONS		
NO.	DESCRIPTION	DATE
I	REV TO UTILITY PLASTICS	01-04-22



SECTION B-B



SECTION A-A

JD2101 METER BOX BASE

Features and Specifications:

- Material: UV Stabilized Polypropylene
- Estimated Weight: 6 lb 10 oz
- Color: Black
- Mouseholes And Knockouts For Pipe Configurations
- Pedestrian, ASTM C857 : Light Duty Non-Vehicular Traffic Situations Only. Actual Load Rating Varies by Box and Lid Combination
- Field Modifications With Any Cutting Tool
- Made in the U.S.A.

UTILITY PLASTICS			DESCRIPTION:		
JD2101 METER BOX BASE			DRAWN	DATE	REVISION
TOLERANCES UNLESS SPECIFIED	MATERIAL	SCALE = 1:2	S. CORDES	02-20-2021	OF 01
FRACTIONAL ± 1/64	UV Stabilized Polypropylene	BREAK ALL SHARP EDGES .03 MIN.			SHEET 1 OF 1
DECIMAL .XX ± .005					DRAWING NO: TLD2101
ANGULAR ± 1/2°					