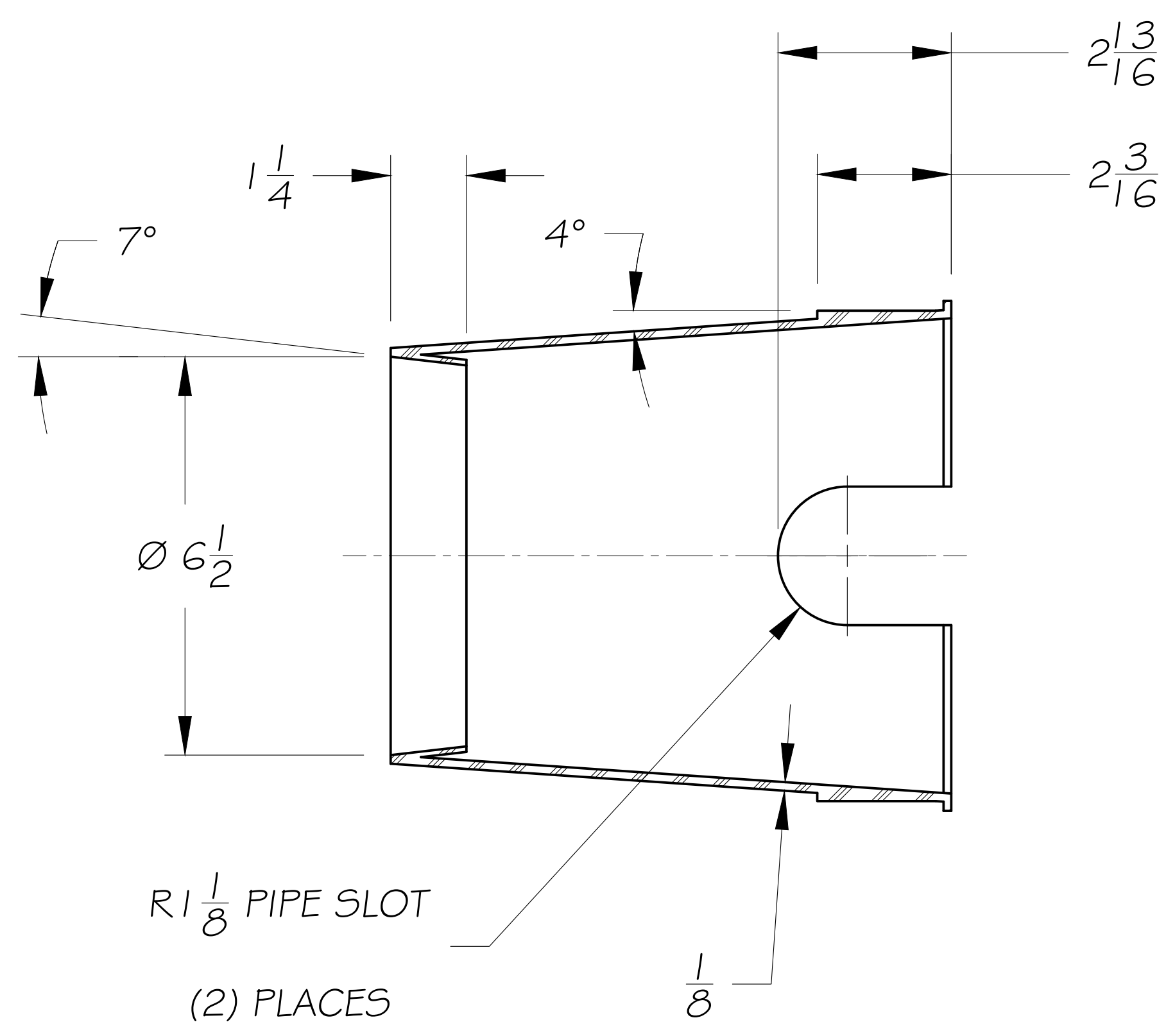
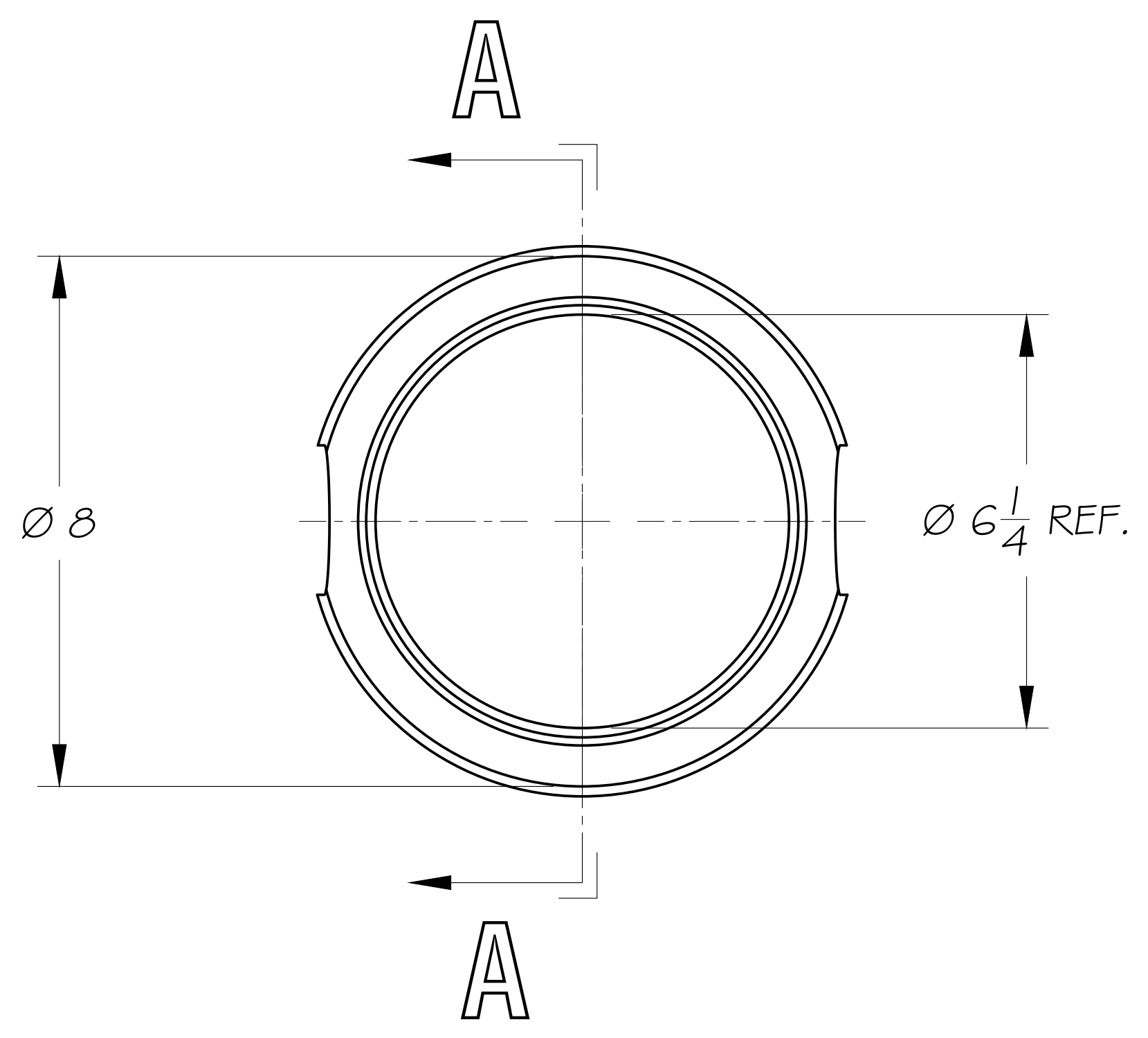


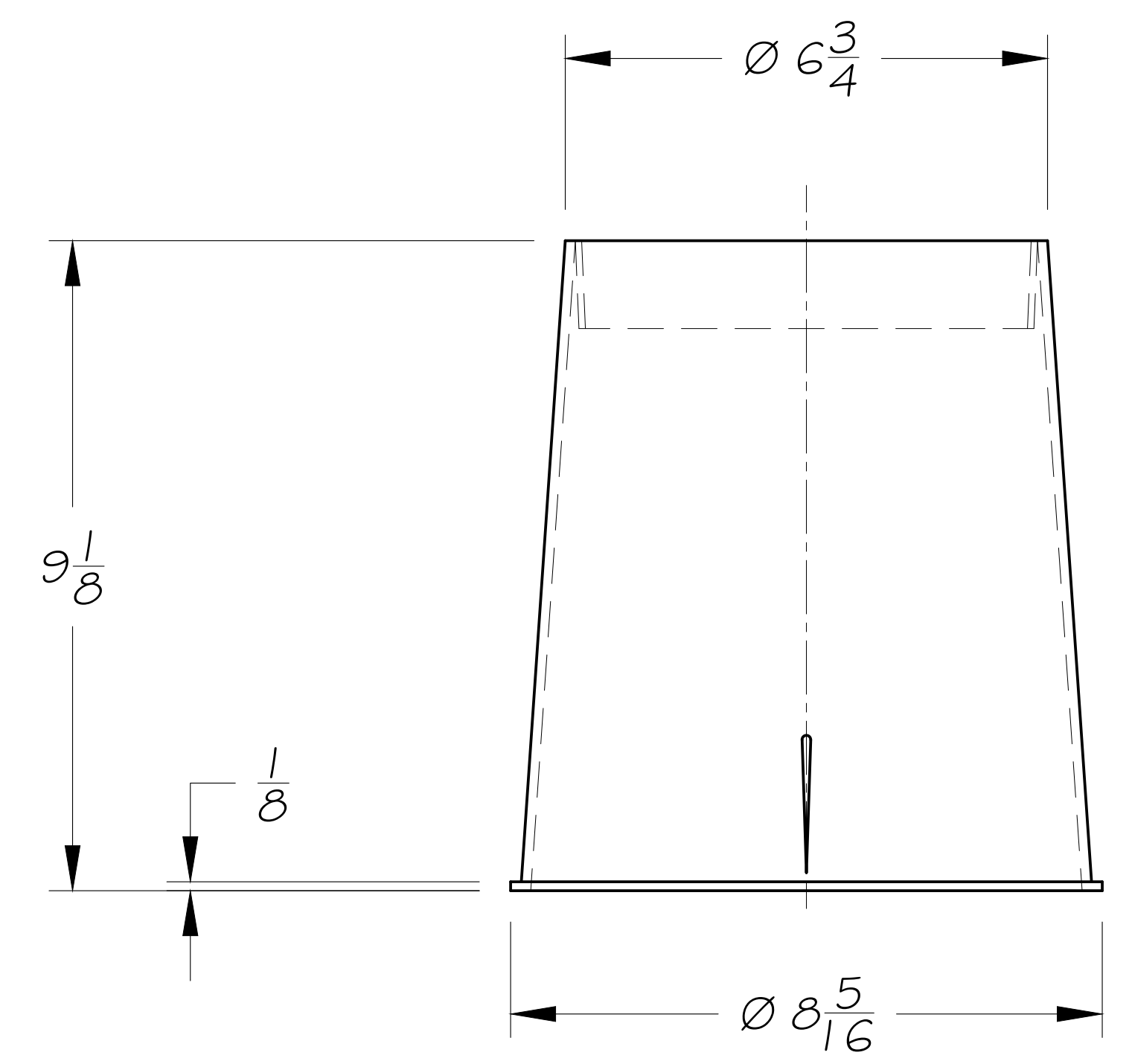
REVISIONS		
NO.	DESCRIPTION	DATE
1	REV TO UTILITY PLASTICS	01-04-22



SECTION A-A

Features and Specifications:

- Material: UV Stabilized Polypropylene
- Estimated Weight: 0 lb 11.5 oz
- Color: Black
- Reinforced Bottom Edge For Retained Shape
- Roller Collar For Proper Fit Of Cover
- Mouseholes And Knockouts For Pipe Configurations
- Snap-Lock Lid For Preventing Mower Suction And Blade Damage
- Pedestrian, ASTM C857 : Light Duty Non-Vehicular Traffic Situations Only. Actual Load Rating Varies by Box and Lid Combination
- Field Modifications With Any Cutting Tool
- Made in the U.S.A.



JD 7001 ~ 7" ROUND BODY

UTILITY PLASTICS		DESCRIPTION: JD7001 ROUND BODY		
TOLER UNLESS SPECIFIED	MATERIAL	SCALE= 1:2	DRAWN	DATE
FRACTIONAL $\pm 1/64$	UV Stabilized Polypropylene		S. CORDES	04-01-2021
DECIMAL XXX $\pm .005$		BREAK ALL SHARP EDGES .03 MIN.		REVISION 01
DECIMAL XX $\pm .01$				SHEET 1 OF 1
ANGULAR $\pm 1/2^\circ$				DRAWING NO: TLD7001