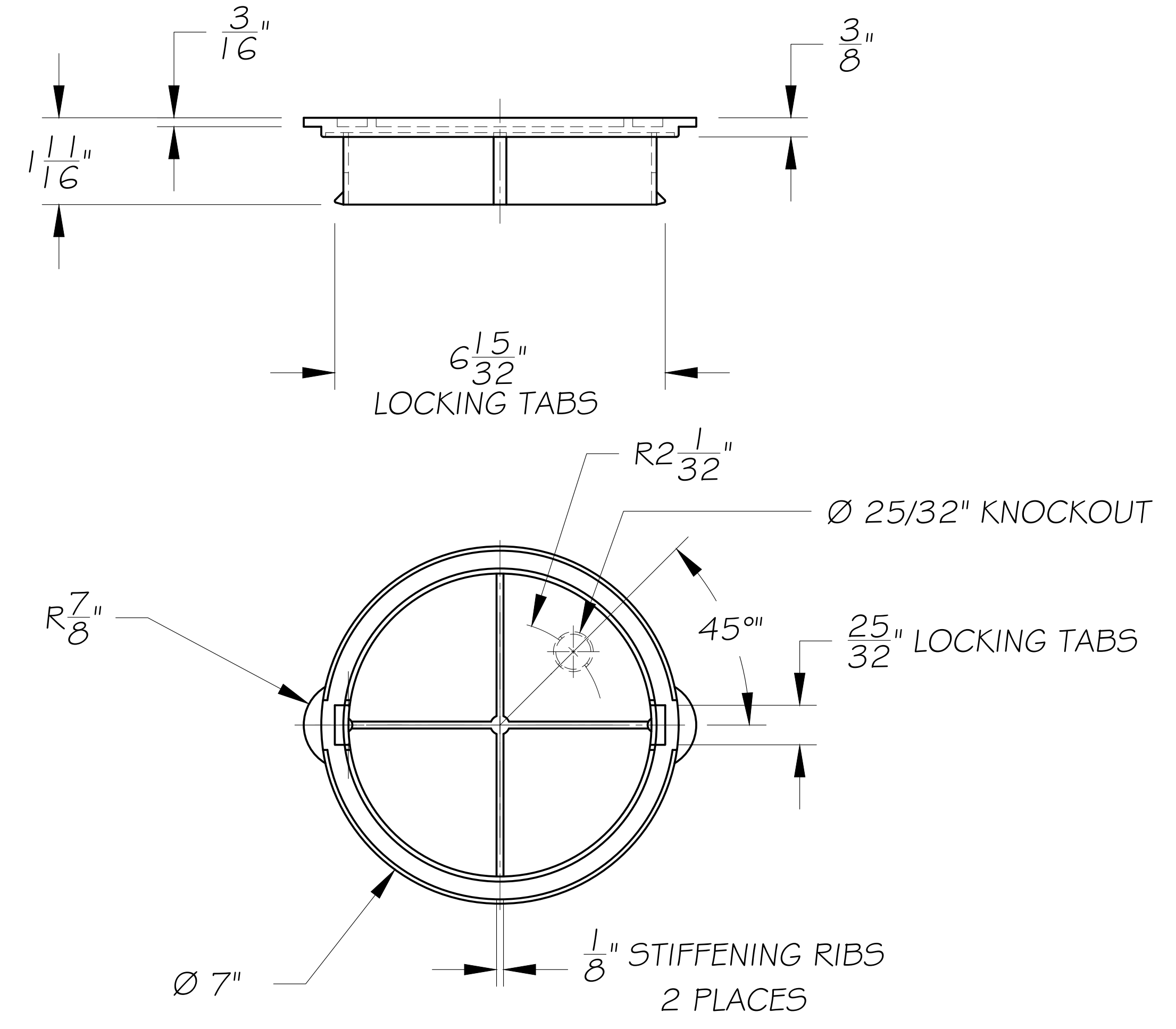
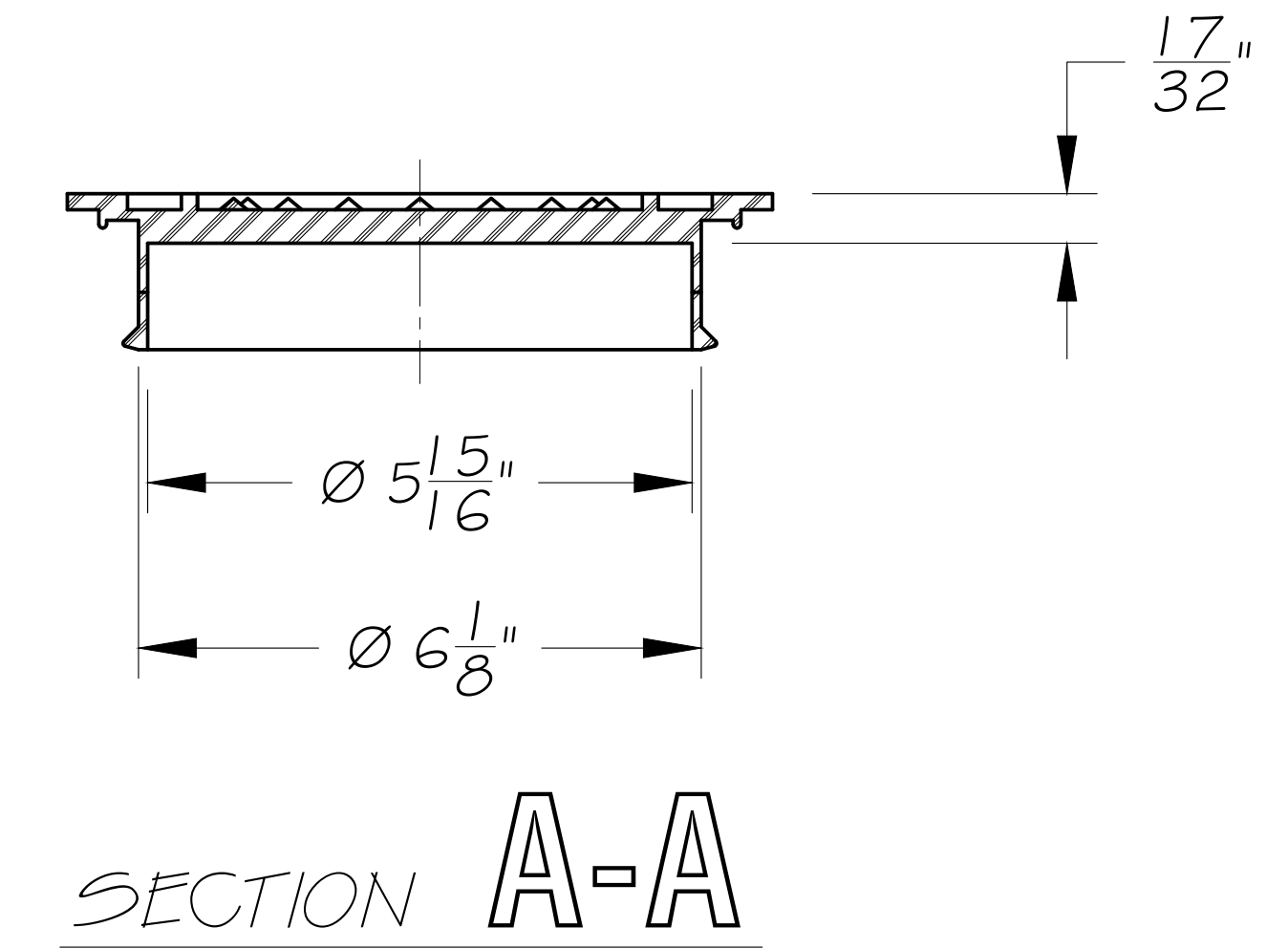
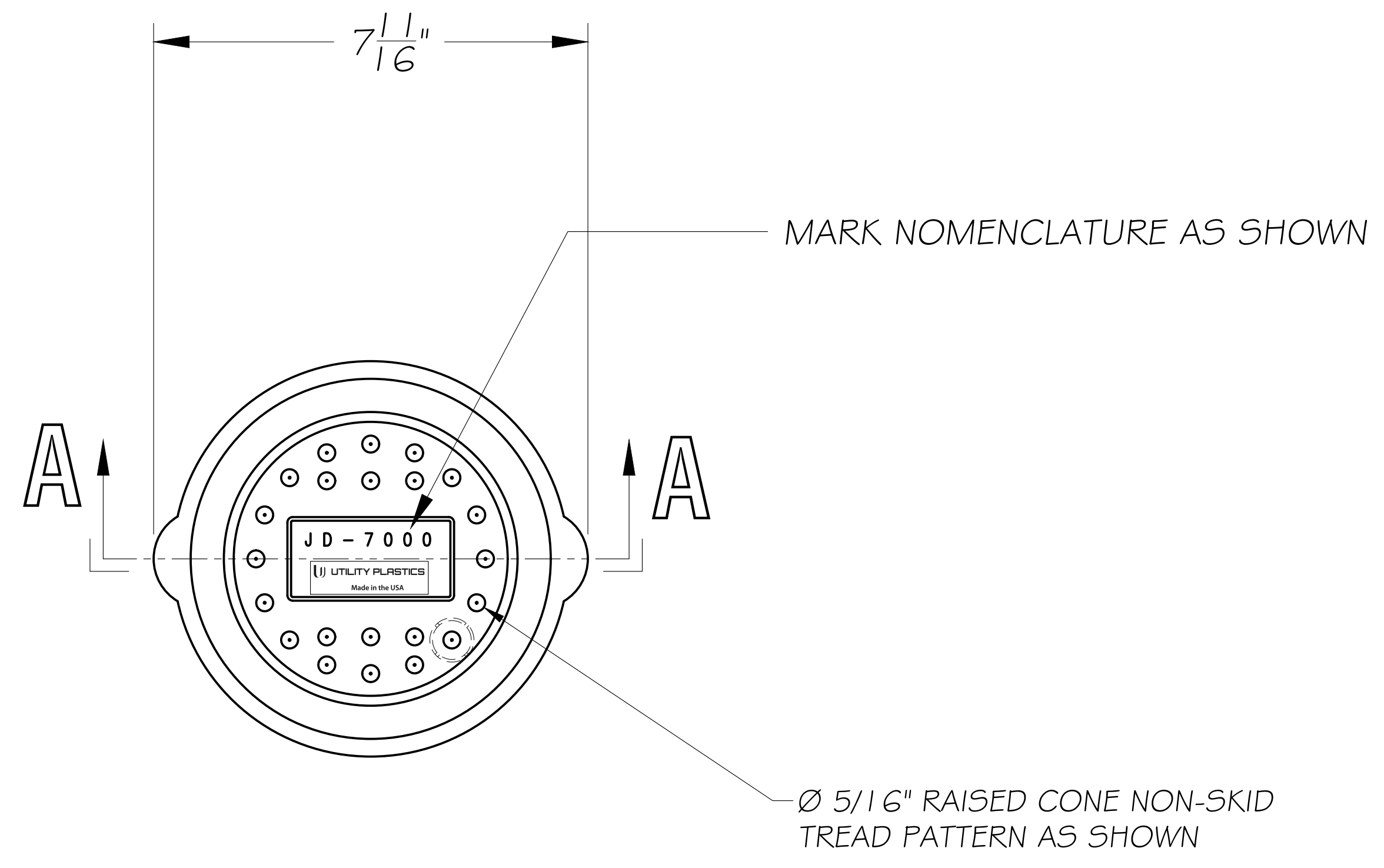


REVISIONS		
NO.	DESCRIPTION	DATE
1	REV TO UTILITY PLASTICS	01-04-22



Features and Specifications

- Material: UV Stabilized Polypropylene
- Estimated Weight: 0 lb 4 oz
- Color: Black, Green, Purple
- Snap-Lock Lid For Preventing Mower Suction And Blade Damage
- Pedestrian, ASTM C857 : Light Duty Non-Vehicular Traffic Situations Only. Actual Load Rating Varies by Box and Lid Combination
- Field Modifications With Any Cutting Tool
- Made in the U.S.A.

JD7002 FLUSH COVER FOR 7" ROUND IRRIGATION BOX

Drawing is the Property of UTILITY PLASTICS

THIS DRAWING DISCLOSES CONFIDENTIAL AND OTHER DATA OF A PROPRIETARY NATURE OWNED BY UTILITY PLASTICS AND MAY NOT BE USED OR DISCLOSED TO OTHERS WITHOUT THE PRIOR WRITTEN CONSENT OF UTILITY PLASTICS

		DESCRIPTION: JD7002 ROUND FLUSH COVER		
TOLERANCES UNLESS SPECIFIED	MATERIAL	SCALE=1:2	DRAWN	DATE
FRACTIONAL = 1/16"	UV Stabilized Polypropylene	BREAK ALL SHARP EDGES .03 MIN.	S. CORDES	04-02-2021
DECIMALXXX = .005				REVISION 01
DECIMALXX = .01				SHEET 1 OF 1
ANGULAR = 1/2°				DRAWING NO: TLD7002