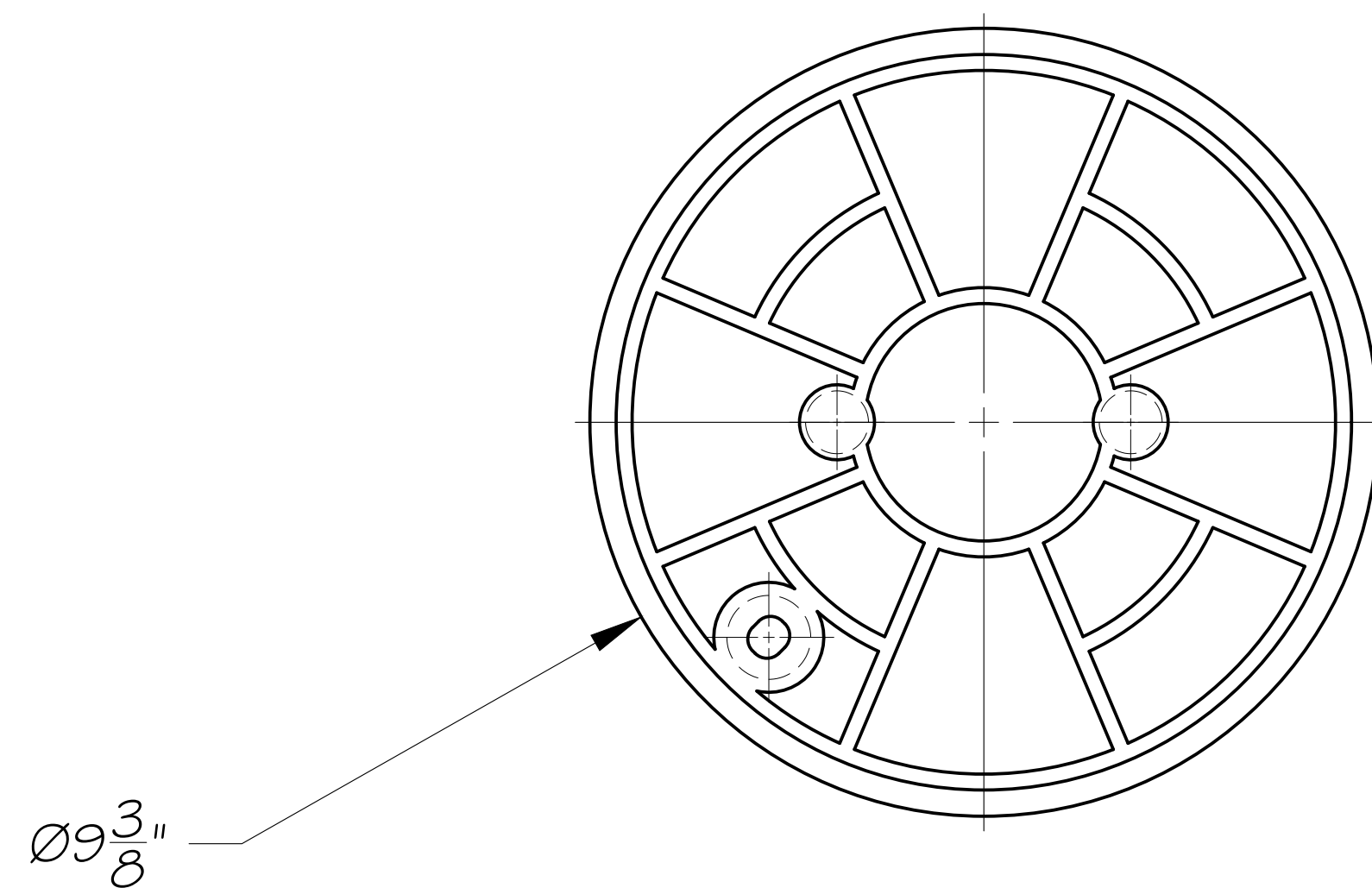
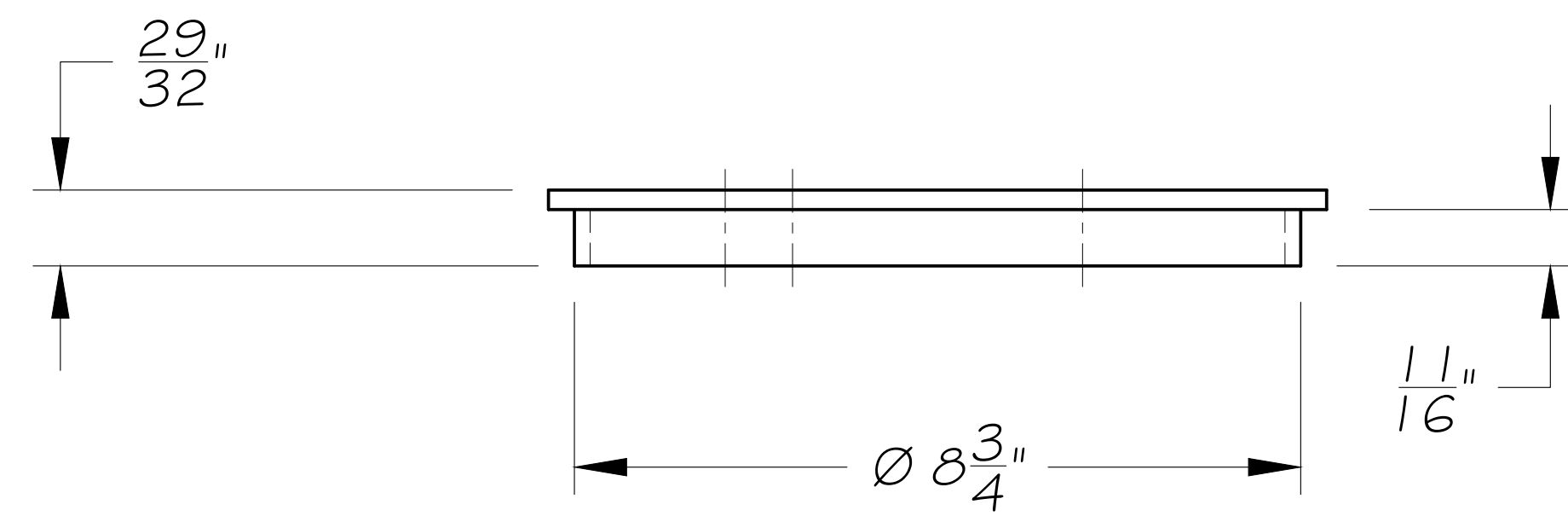
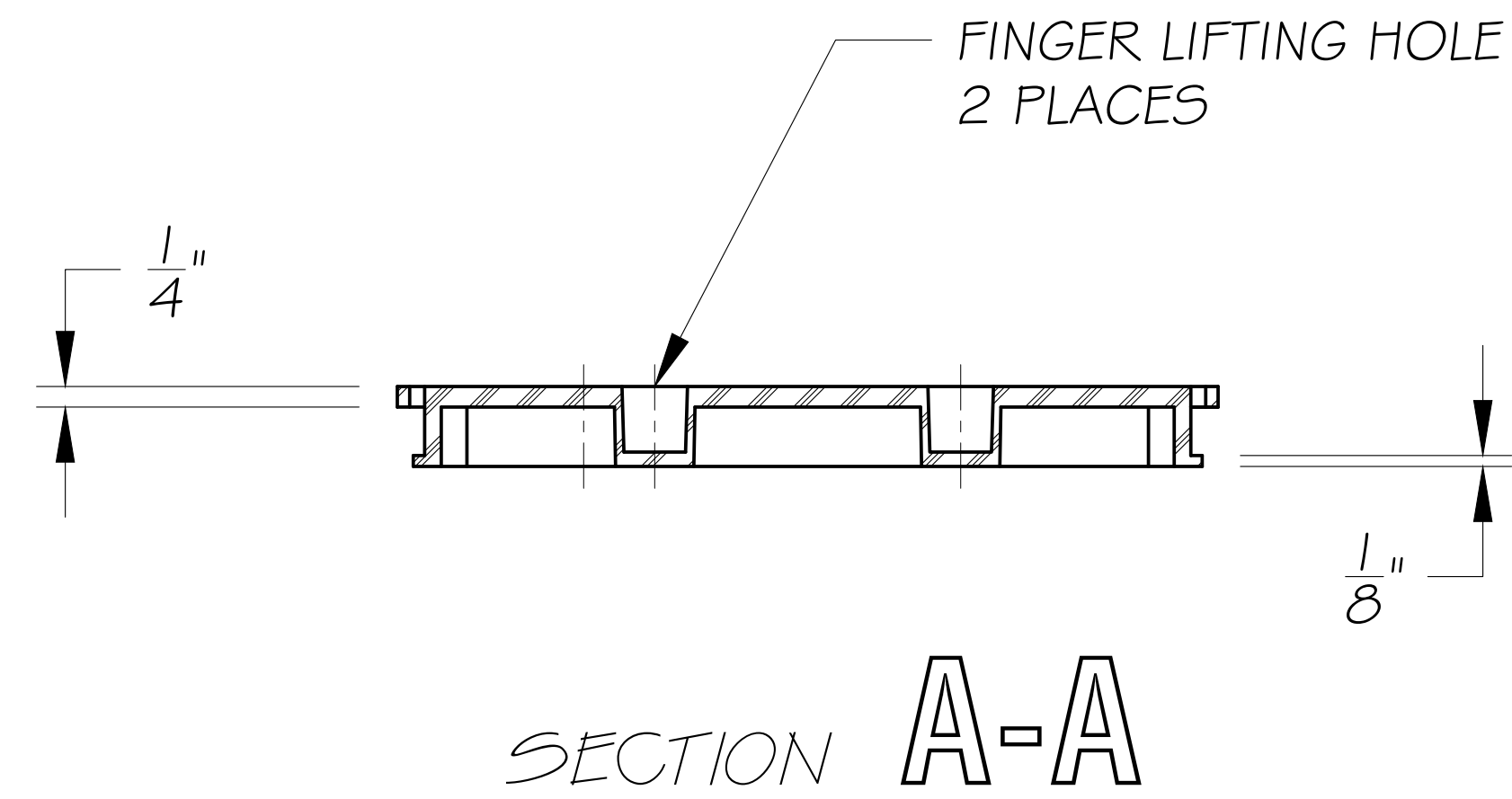
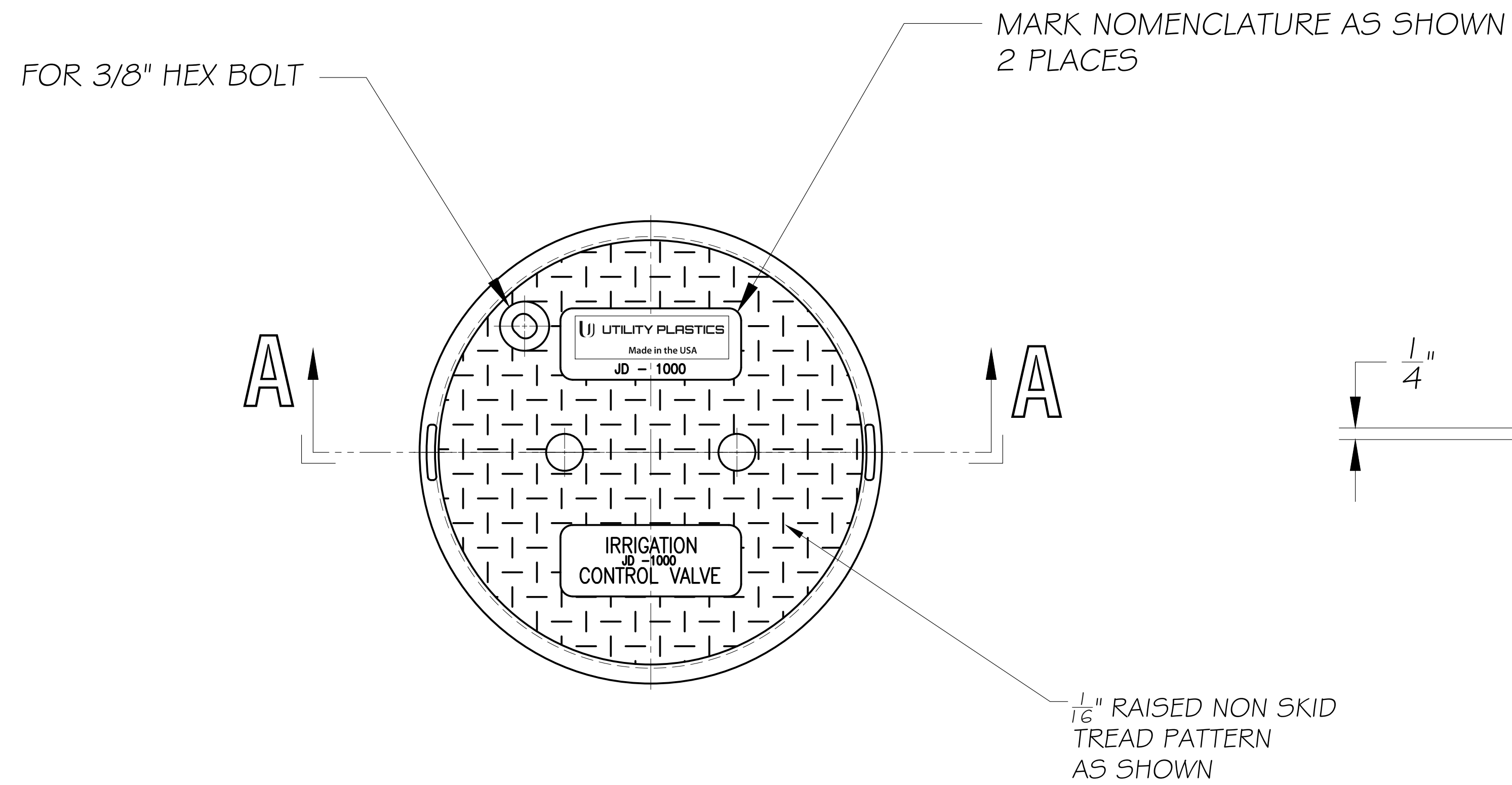


REVISIONS		
NO.	DESCRIPTION	DATE
1	REV TO UTILITY PLASTICS	01-04-22



JD1002 OVER LAPPING COVER FOR 10" ROUND IRRIGATION BOX

Features and Specifications:

- Material: UV Stabilized Polypropylene
- Estimated Weight: 0 lb 9.5 oz
- Color: Black, Green, Purple
- Twist-Lock Lid For Preventing Mower Suction And Blade Damage
- Pedestrian, ASTM C857 : Light Duty Non-Vehicular Traffic Situations Only. Actual Load Rating Varies by Box and Lid Combination
- Field Modifications With Any Cutting Tool
- Made in the U.S.A.

Drawing is the Property of UTILITY PLASTICS

THIS DRAWING DISCLOSES CONFIDENTIAL AND OTHER DATA OF A PROPRIETARY NATURE OWNED BY UTILITY PLASTICS AND MAY NOT BE USED OR DISCLOSED TO OTHERS WITHOUT THE PRIOR WRITTEN CONSENT OF UTILITY PLASTICS

UTILITY PLASTICS			DESCRIPTION:		
TOLERANCES UNLESS SPECIFIED			JD1002 ROUND OVER LAPPING COVER		
FRACTIONAL ± 1/64	MATERIAL	SCALE = 1:2	DRAWN	DATE	REVISION 01
DECIMAL .XX ± .005	UV Stabilized Polypropylene	BREAK ALL SHARP EDGES .03 MIN.	S. CORDES	03-12-21	SHEET 1 OF 1
DECIMAL .XX ± .01					DRAWING NO: TLD1002
ANGULAR ± 1/2°					