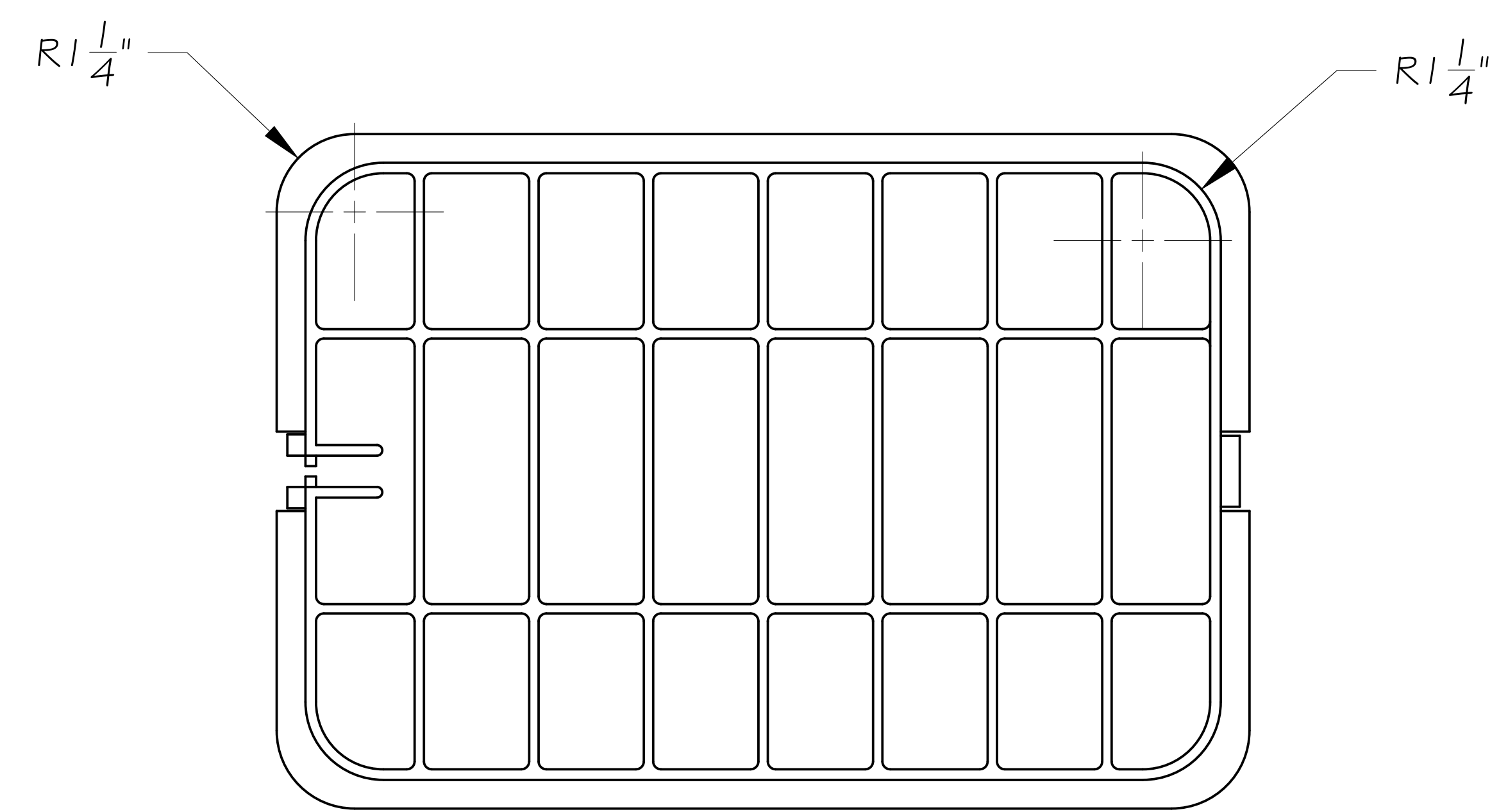
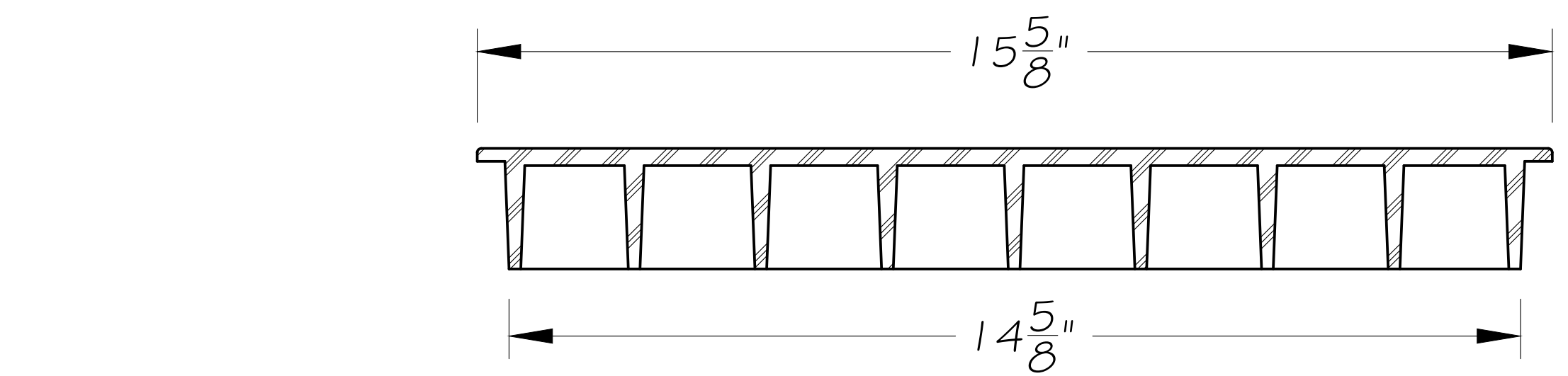
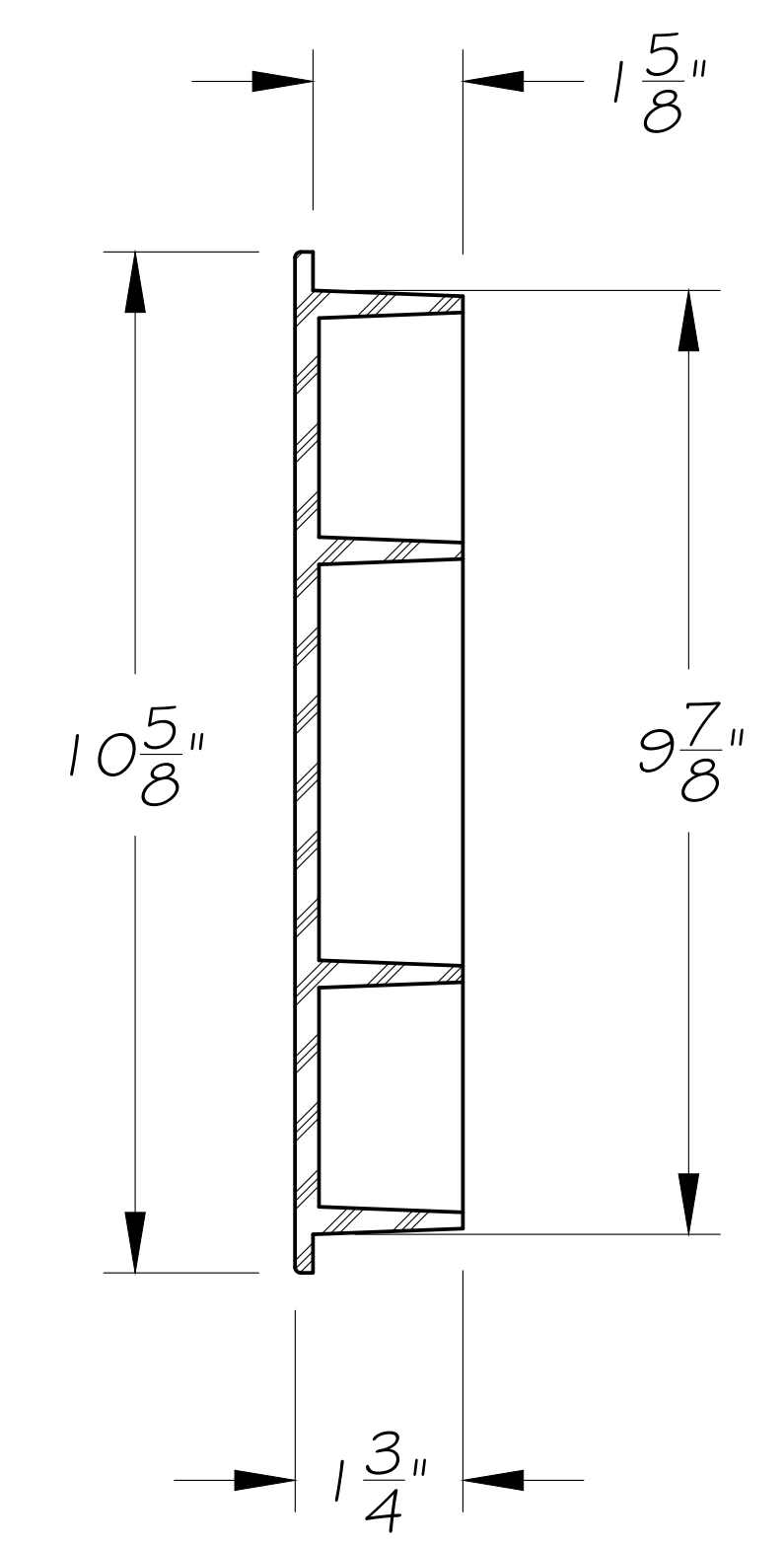
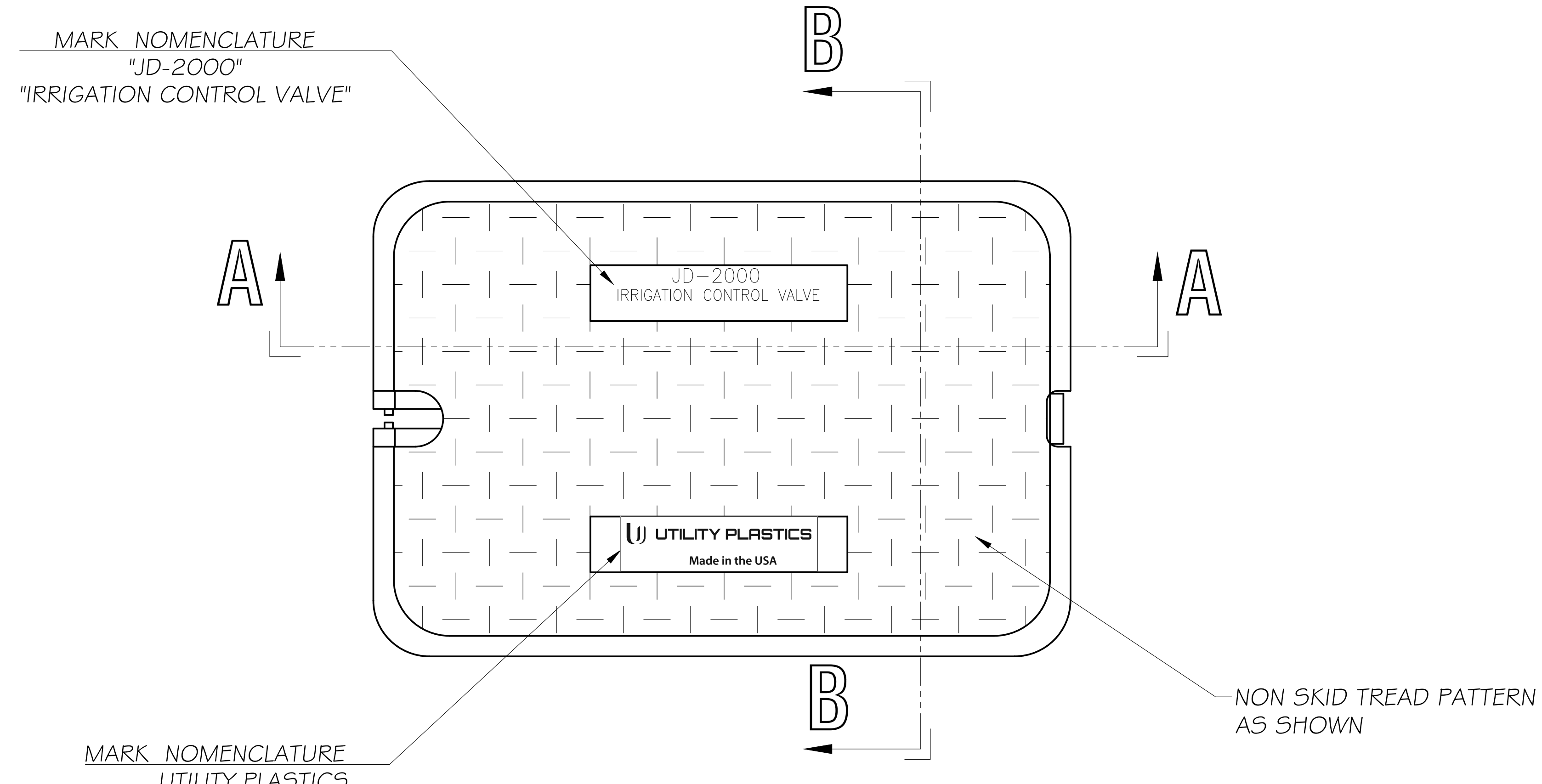


| REVISIONS |                         |          |
|-----------|-------------------------|----------|
| NO.       | DESCRIPTION             | DATE     |
| 1         | REV TO UTILITY PLASTICS | 01-04-22 |



SECTION B-B

SECTION A-A

**Features and Specifications:**

- Material: UV Stabilized Polypropylene
- Estimated Weight: 1 lb 7 oz
- Colors: Green
- Special Markings Available
- Pedestrian, ASTM C857 : Light Duty Non-Vehicular Traffic Situations Only. Actual Load Rating Varies by Box and Lid Combination
- Field Modifications With Any Cutting Tool
- Made in the USA

**JD2002 ~ RECESSED FLUSH COVER**

|                        |                             |   |           |          |                     |
|------------------------|-----------------------------|---|-----------|----------|---------------------|
|                        |                             | DESCRIPTION:<br>JD2002 RECESSED FLUSH COVER |           |          |                     |
| TOLER UNLESS SPECIFIED | MATERIAL                    | SCALE=1:2                                   | DRAWN     | DATE     | REVISION            |
| FRACTIONAL ± 1/64      | UV Stabilized Polypropylene |   | S. CORDES | 07-26-21 | 01                  |
| DECIMAL XX ± 0.01      |                             |   |           |          | SHEET 1 OF 1        |
| ANGULAR ± 1/2°         |                             |   |           |          | DRAWING NO: TLD2002 |