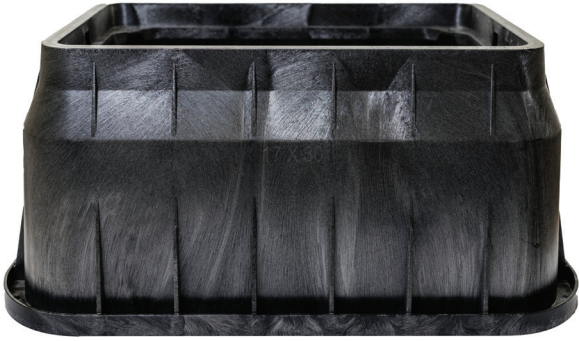
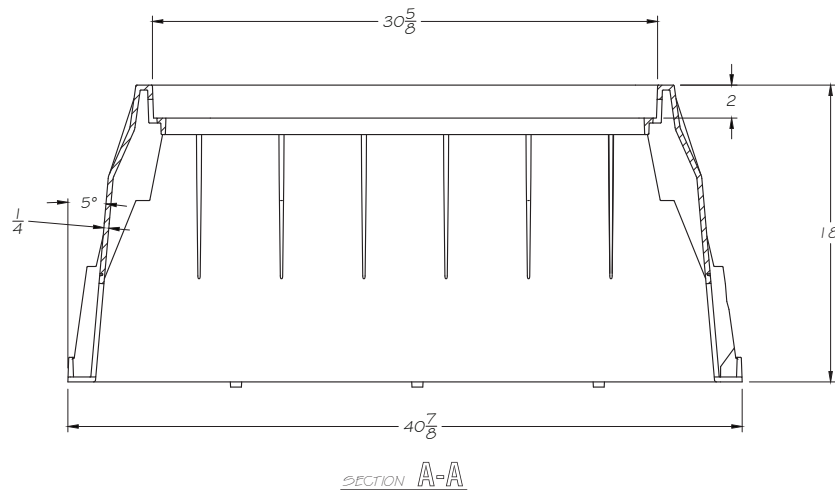
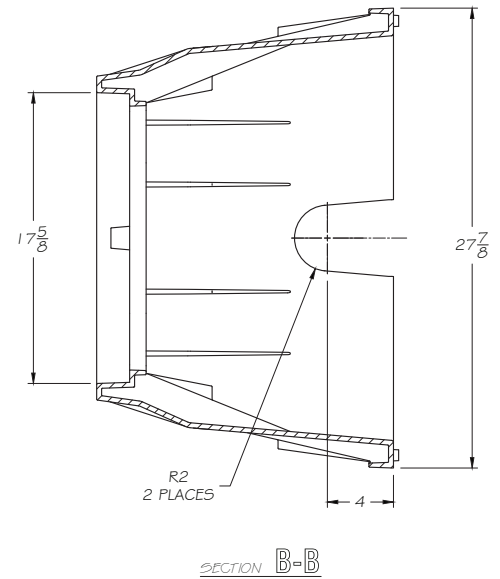
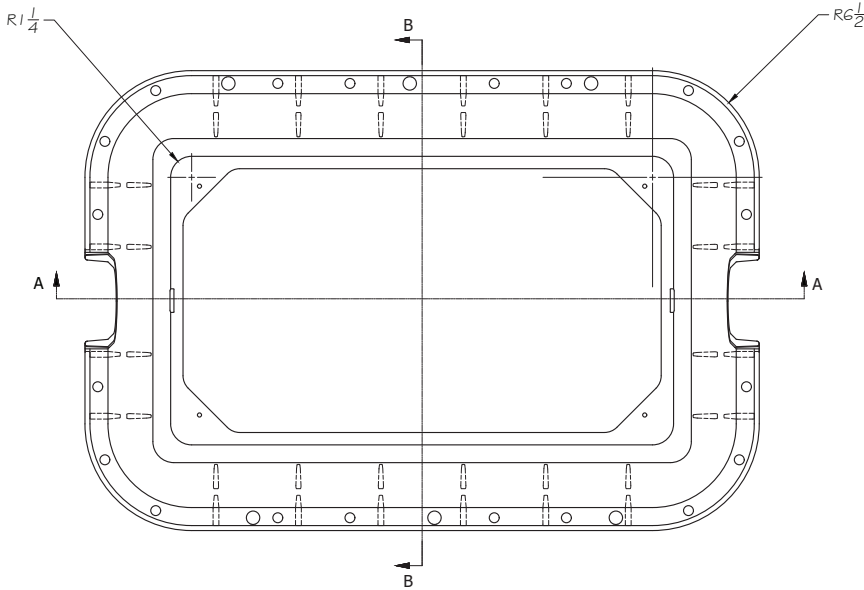


JD-1731 | Features and Specifications

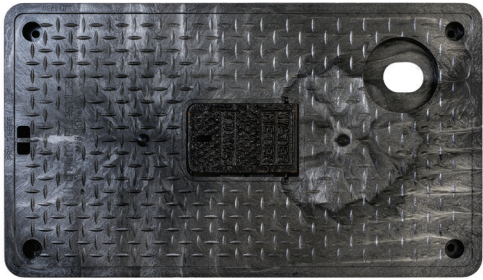
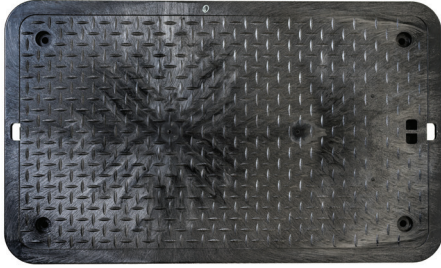


- Material: UV Stabilized Polypropylene
- Estimated Weight: 30 lb. 15.3 oz. plus lid (see following page)
- Color: Black
- Mouseholes and knockouts for pipe configurations
- Pedestrian, ASTM C857: Light duty non-vehicular traffic situations only.
- Field modifications with any cutting tool
- Two JD-1731s can be fitted together to make a 36" deep enclosure.
- Made in the U.S.A.

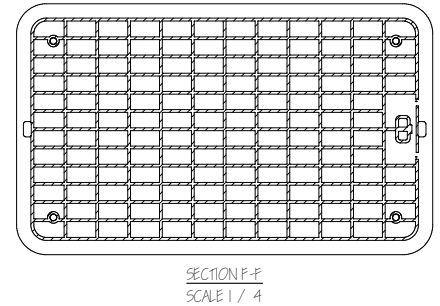
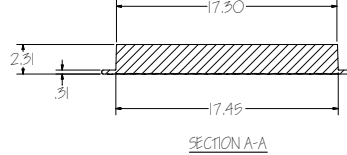
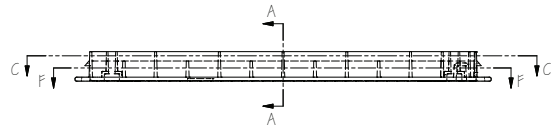
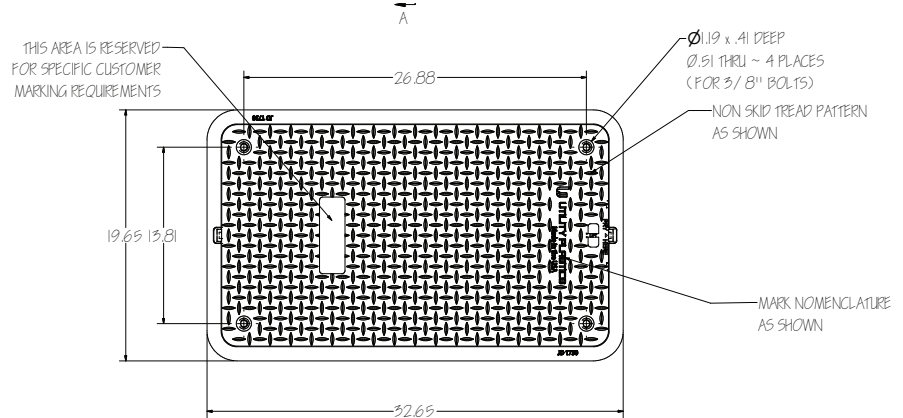
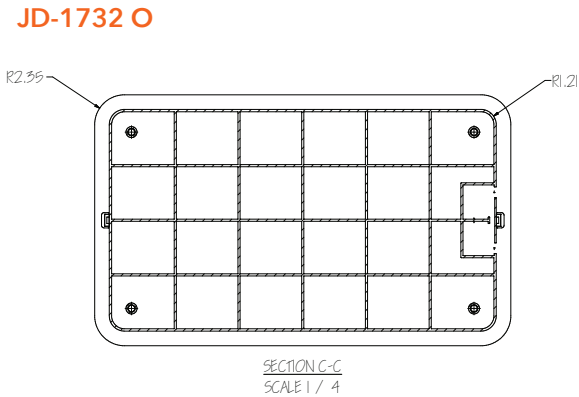


JD-1732 O and JD-1732 R | Features and Specifications

- Material: UV Stabilized Polypropylene
- Estimated Weight for JD-1732 O: 12 lb. 2 oz.
- Estimated Weight for JD-1732 R: 11 lb. 6 oz.
- Colors: Green, Black for both lids as well as Blue for JD-1732 O
- Special markings available
- Mouseholes and knockouts for pipe configurations
- Pedestrian, ASTM C857: Light duty non-vehicular traffic situations only. Actual load rating varies by box and lid combination.
- Field modifications with any cutting tool
- Options for JD-1732 R: 4" diameter x 3/4" deep AMR recess; 4 1/2" diameter x 3/4" deep AMR recess; Cast iron reader
- Made in the U.S.A.



JD-1732 O



JD-1732 R

