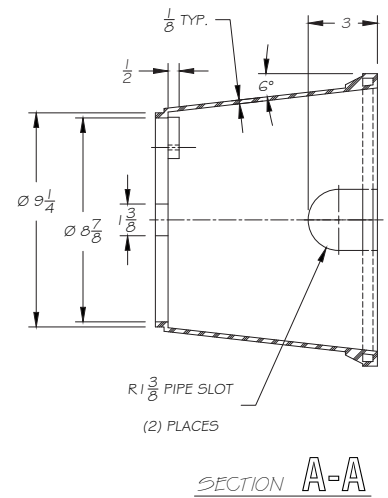
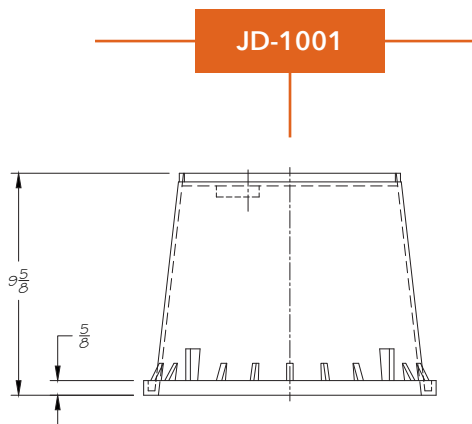
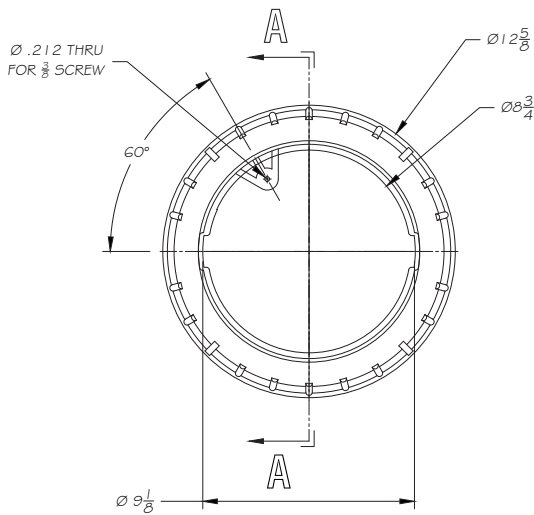


JD-1000 SERIES | FEATURES AND SPECIFICATIONS

- Material: UV Stabilized Polypropylene
- Estimated Weight: 1 lb. 12 oz. plus 0 lb. 9.5 oz
- Base Color: Black
- Lid Color: Green; Also available in Black or Purple upon request
- Reinforced bottom edge for retained shape
- Roller collar for proper fit of lid
- Twist-Lock Lid for preventing mower suction and blade damage
- Mouseholes and knockouts for pipe configurations
- ASTM C857: Pedestrian, light duty non-vehicular traffic situations only. Actual load rating varies by box and lid combination
- Field modifications with any cutting tool



JD-1002

