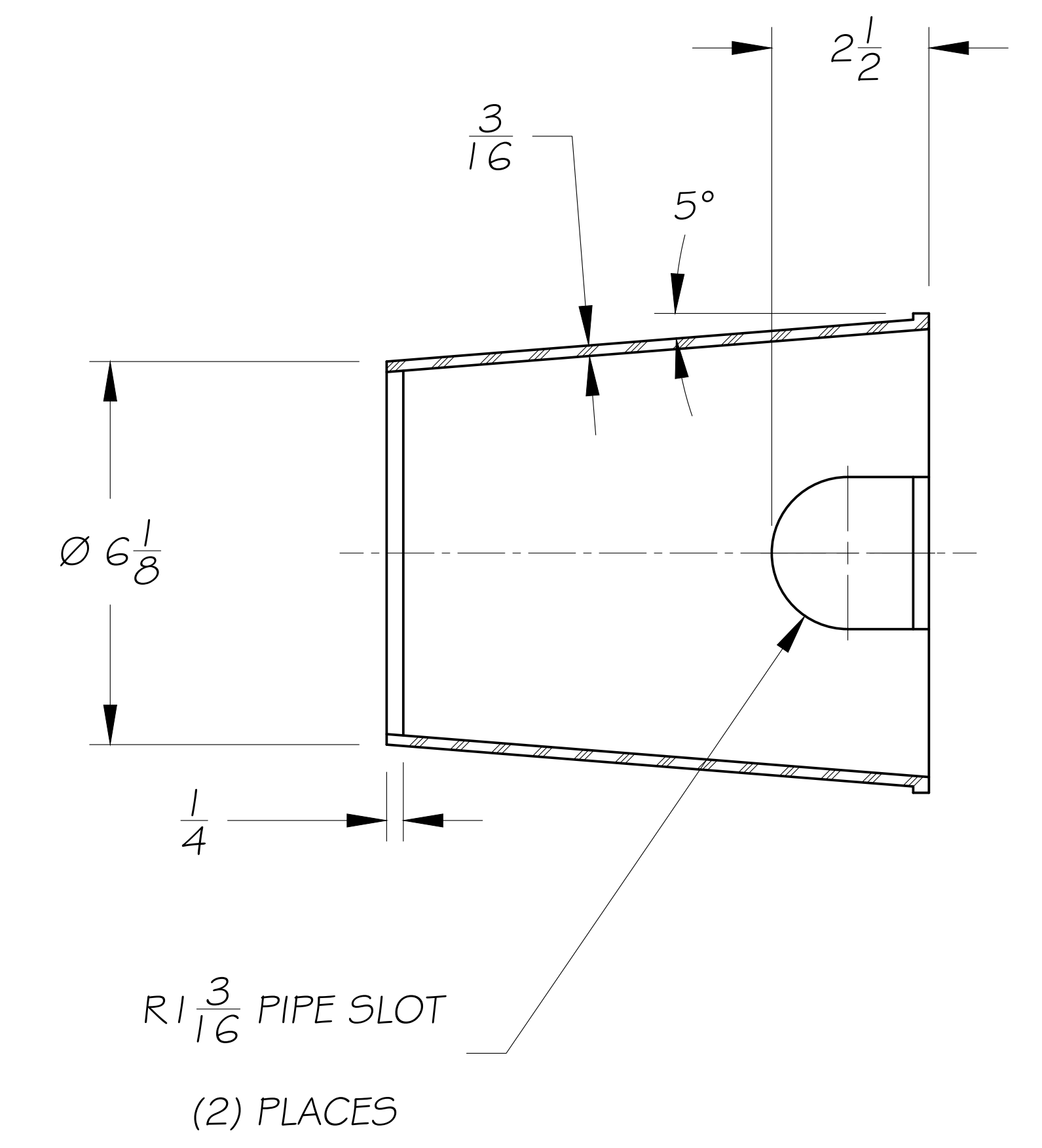
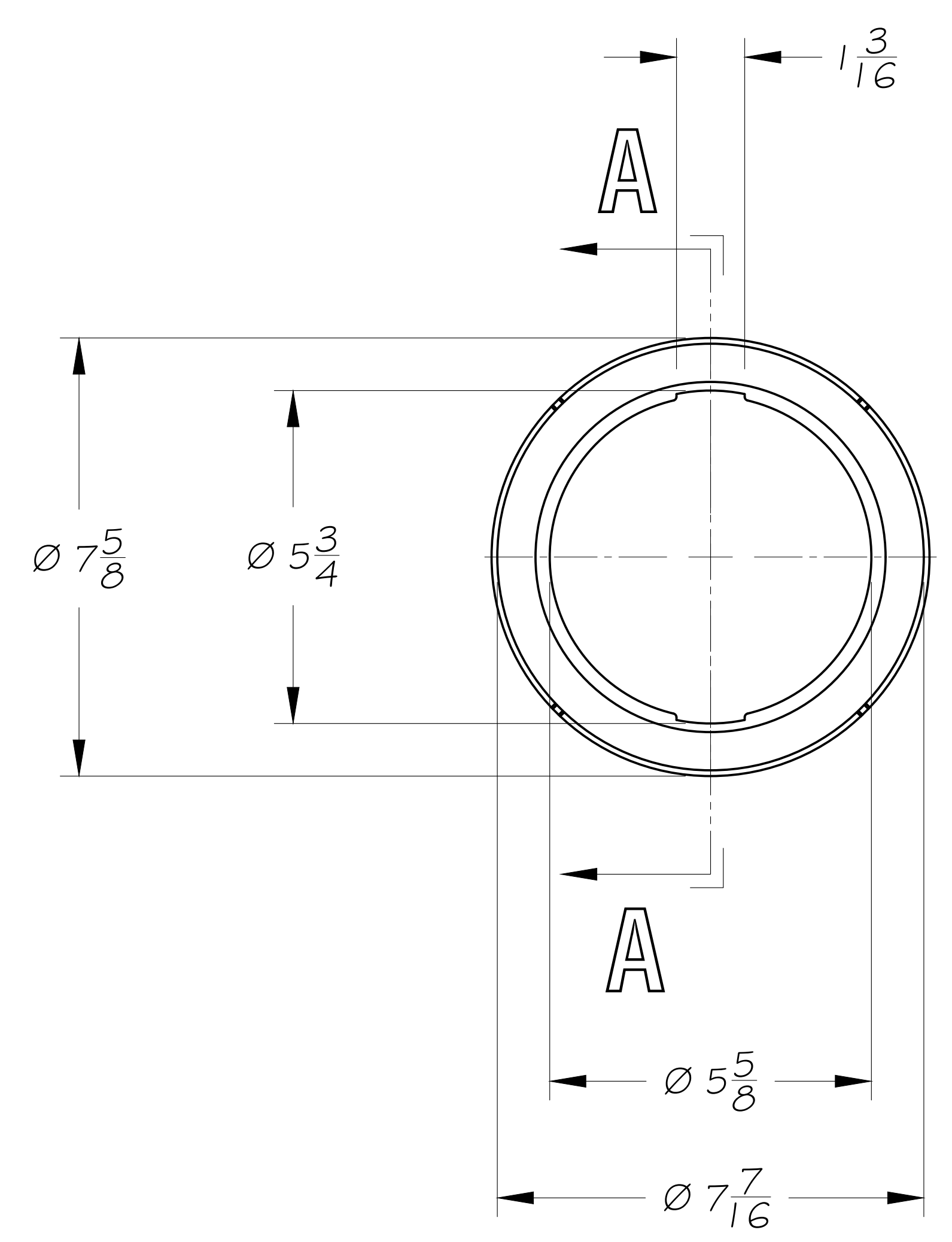
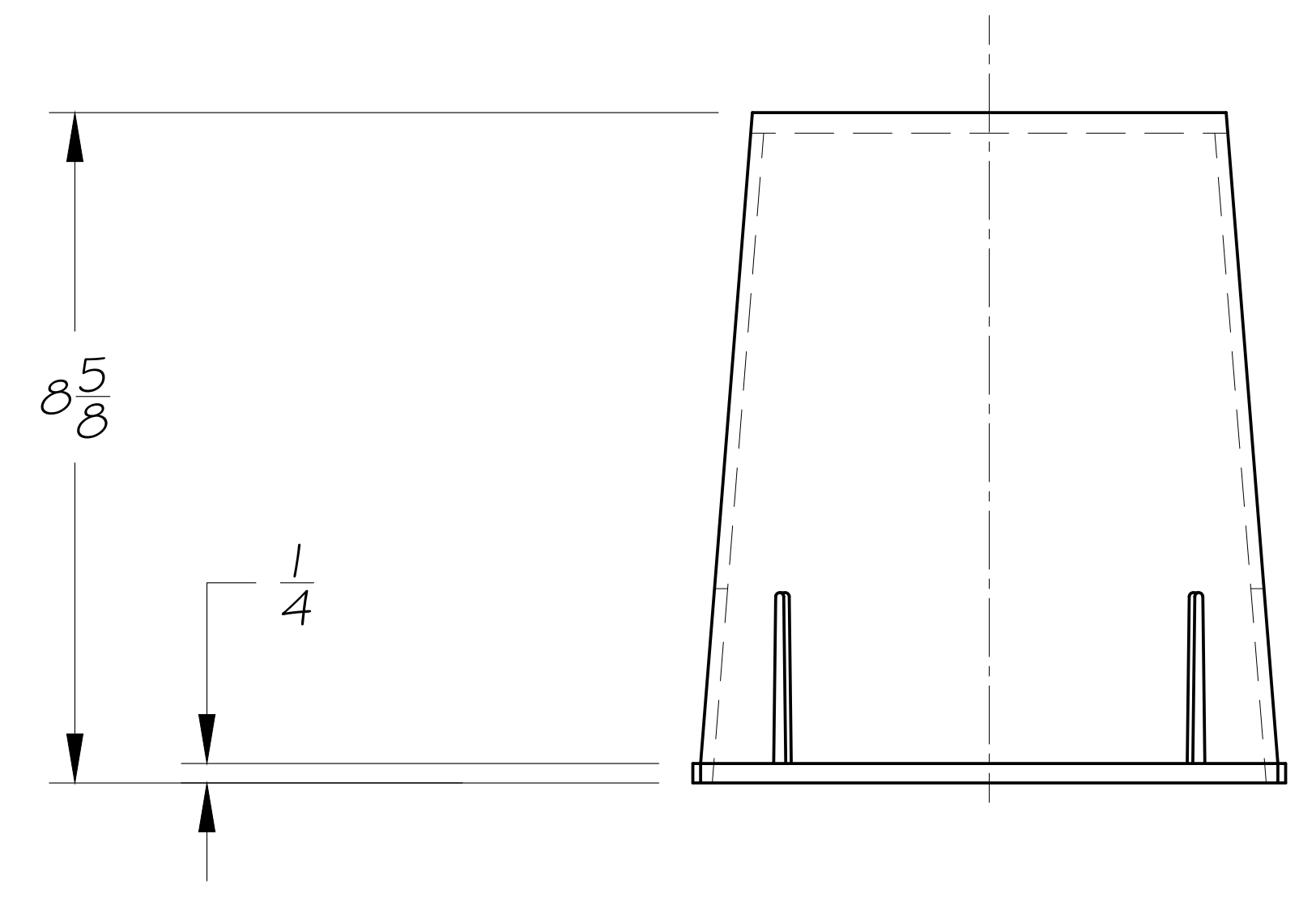


REVISIONS		
NO.	DESCRIPTION	DATE
1	REV TO UTILITY PLASTICS	01-04-22



SECTION A-A



JD6001 ~ 6" ROUND BODY

Features and Specifications:

- Material: UV Stabilized Polypropylene
- Estimated Weight: 0 lb 10 oz
- Color: Black
- Reinforced Bottom Edge For Retained Shape
- Roller Collar For Proper Fit Of Cover
- Mouseholes And Knockouts For Pipe Configurations
- Snap-Lock Lid For Preventing Mower Suction And Blade Damage
- Pedestrian, ASTM C857 : Light Duty Non-Vehicular Traffic Situations Only. Actual Load Rating Varies by Box and Lid Combination
- Field Modifications With Any Cutting Tool
- Made in the U.S.A.

Drawing is the Property of UTILITY PLASTICS

THIS DRAWING DISCLOSES CONFIDENTIAL AND OTHER DATA OF A PROPRIETARY NATURE OWNED BY UTILITY PLASTICS AND MAY NOT BE USED OR DISCLOSED TO OTHERS WITHOUT THE PRIOR WRITTEN CONSENT OF UTILITY PLASTICS

		DESCRIPTION: JD6001 ROUND BODY	
TOLER UNLESS SPECIFIED	MATERIAL	SCALE= 1:2	DRAWN
FRACTIONAL ± 1/64 DECIMAL .XXX ± .005 DECIMAL .XX ± .01 ANGULAR ± 1/2°	UV Stabilized Polypropylene	BREAK ALL SHARP EDGES .03 MIN.	S. CORDES
			DATE
			03-25-2021
			REVISION
			_01
			SHEET 1 OF 1
			DRAWING NO: TLD6001