




# UTILITY PLASTICS

A FeatherRidge Company 



**PRODUCT CATALOG 2024**

**BROADBAND & POWER**



## ABOUT:

Utility Plastics, LLC is a plastic utility box and vault manufacturing business headquartered in Quitman, Georgia. Our manufacturing facility is in Boiling Springs, SC and Assembly plant in Quitman, GA. Our team of experts has over combined 80 years of experience in the plastic industry, and we are committed to providing high-quality and reliable products to our customers. We use the latest technology and materials to ensure that our products meet the highest standards of quality and durability. We have the shortest lead times in the industry!

## COMPETITIVE EDGE:

**QUALITY** – 100% of the products made by Utility Plastics are made in the USA.

**SERVICE** – we proud ourselves on our customer service within our internal team or our extended family of manufacturer reps.

**COMMITMENT** – we are committed to competitive pricing, lead times and loyalty to our end users.



	<b>PAGE</b>
• <b>FIBER PEDESTALS</b>	
• UP-PED-1212	4
• UP-PED-1414	6
• UP-PED-1018	7
• <b>PEDESTRIAN GRADE VAULTS</b>	
• JD173018	8
• JD122012	12
• JD2100	14
• <b>FLOWERPOTS</b>	
• JD1000, JD6000, JD7000	16, 17
• <b>ACCESSORIES</b>	
• EMS MARKER	18

# UP-PED-1212 SERIES



UP-PED-1212

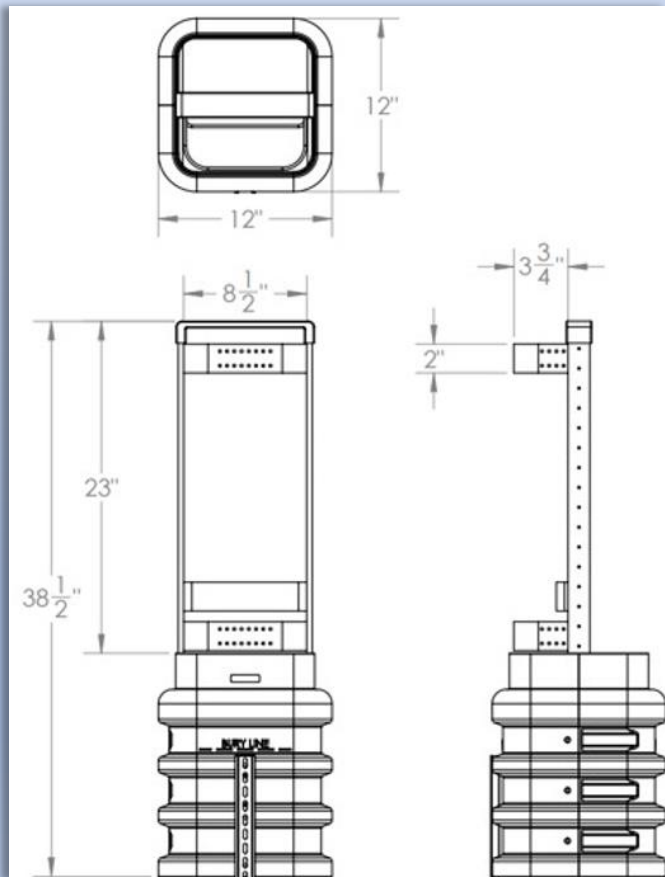
**PART NUMBER**

- UP-PED-1212**
- UP-PED-1212-001**
- UP-PED-1212-002**
- UP-PED-1212-003**
- UP-PED-1212-004**

**DESCRIPTION**

- Standard Base, Tower & Yolk bar
- 1212 with (2) U-guard Inserts
- 1212 with (2) H Bracket inserts
- 1212 w/ Fiber Tray Panel / Center Channel
- 1212 w/ Specialized U-Guards & Clips for NOVUX closure

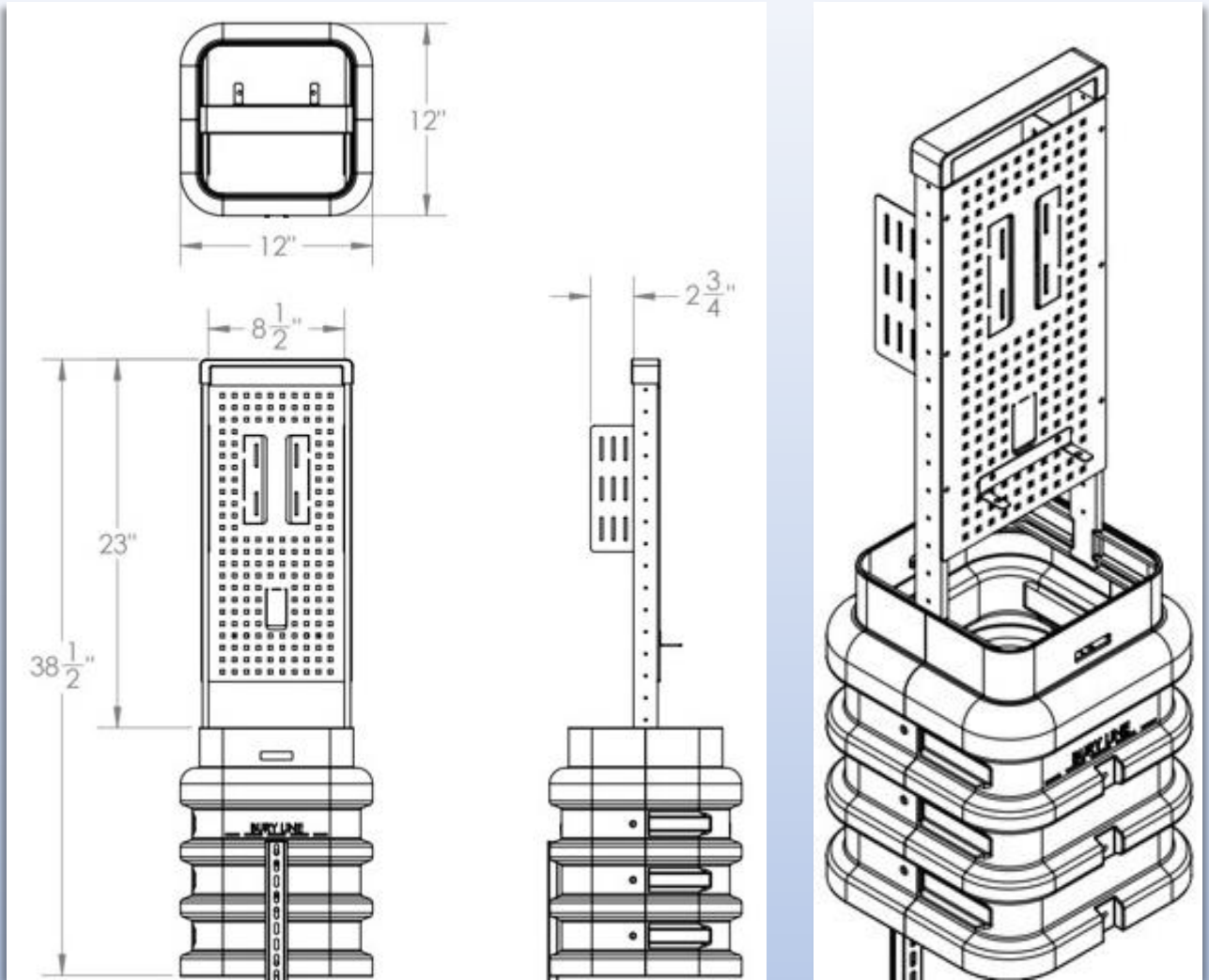
## UP-PED-1212-004 W/ A NOVUX CLOSURE



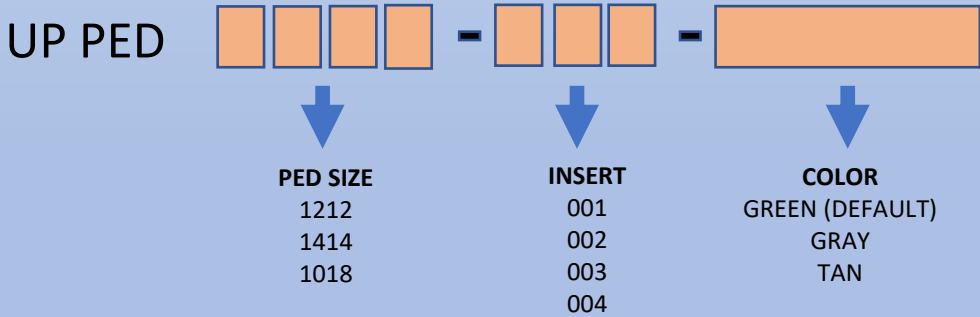
UP-PED-1212-001



# UP-PED-1212 SERIES



UP-PED-1212-003

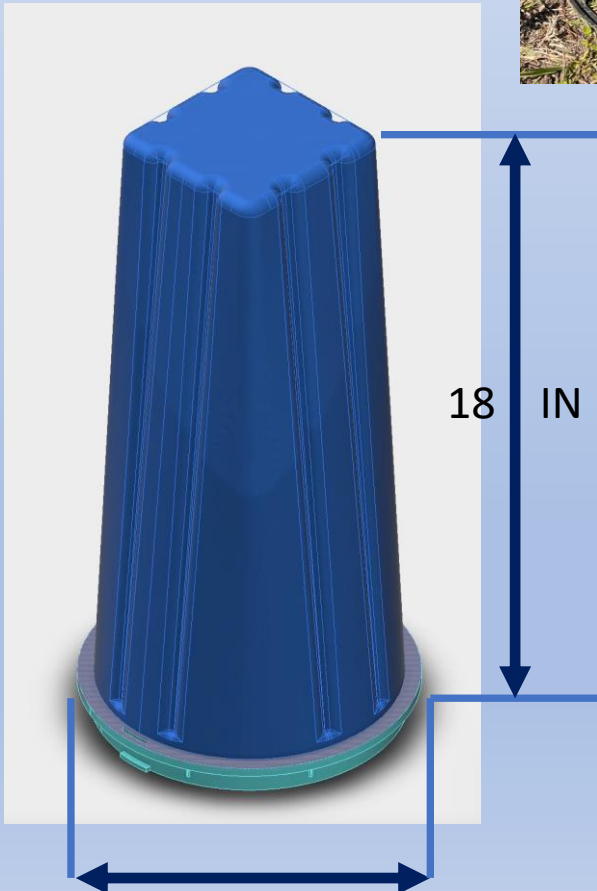


**EXAMPLE = UP PED 1212-001-GRAY**

This would be a 12" X 12" ped with U-guard inserts and gray TOWER & BASE color

# COMING SUMMER 2024

# UP-PED-1018 SERIES



This Connects on top of the JD1000 and twists on just like our standard JD1000 lid. This allows for a splice closure or fiber connections.

**UP-PED-1018**

**UP-PED-1018-BD1**  
(WITH LOCKING BOLT)

## JD1730 SERIES

**JD173018**

17"X30"X18" box and lid assembly with multiple choices of lid designs, colors and bolt configurations



- Material: UV Stabilized Polypropylene
- Estimated Weight: 30 lb. 15.3 oz. plus lid
- Base Color: Black, Green, Purple, or Blue (Other colors available upon request)
- Lid Color: Black, Green, Purple, Blue, Tan & Gray. (Other colors available upon request)
- Custom logos available
- Mouseholes and knockouts for pipe configurations - Mousehole inserts available
- Two JD-1731 bases can be fit together to make a 36" deep enclosure.
- ASTM C857: Pedestrian, light duty non-vehicular traffic situations only. Actual load rating varies by box and lid configuration.
- Field modifications with any cutting tool.
- Easy installation by hand or hand-tools.
- Multiple bolt and type configurations.

*JD1731 BASE ONLY*

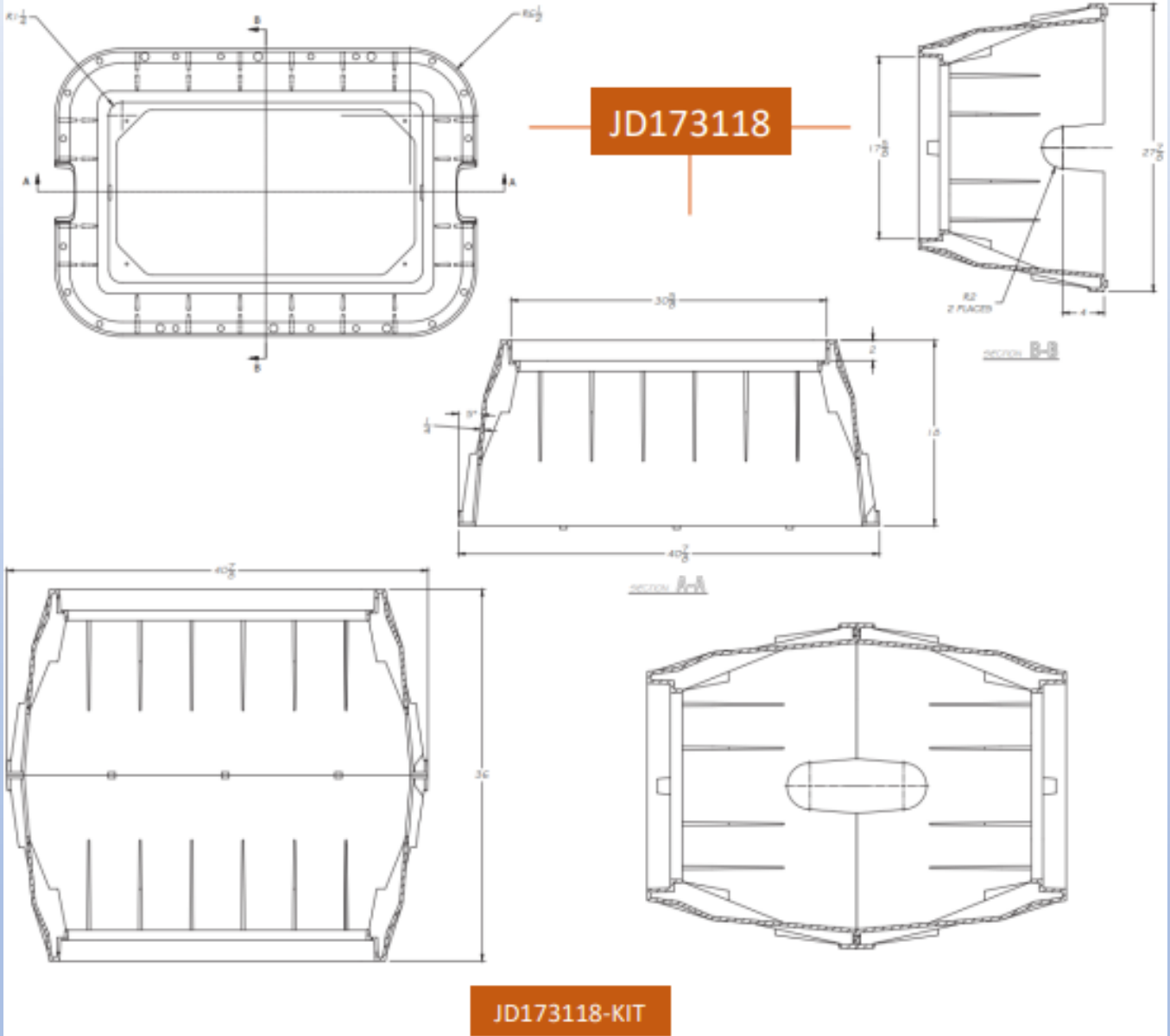
DESCRIPTION	BASIC PART #	LID COLOR	LID TYPE	BOLT CONFIG	EMS	ORDERING PART #
17X30X18 BOX W/ GREEN FLUSHMOUNT LID / NON-LOCKING / NO EMS / BLANK LOGO	JD173018	SGL	FM	BD0	000	JD173018-SGL-FM-BD0-000-BLANK
17X30X18 BOX W/ GREEN OVERLAP LID / NON-LOCKING / NO EMS / BLANK LOGO	JD173018	SGL	OL	BD0	000	JD173018-SGL-OL-BD0-000-BLANK
17X30X18 BOX W/ GREEN FLUSHMOUNT LID / 2 BOLT / NO EMS / BLANK LOGO	JD173018	SGL	FM	BD2	000	JD173018-SGL-FM-BD2-000-BLANK
17X30X18 BOX W/ GREEN OVERLAP LID / 2 BOLT / NO EMS / BLANK LOGO	JD173018	SGL	OL	BD2	000	JD173018-SGL-OL-BD2-000-BLANK
17X30X18 BOX W/ GREEN FLUSHMOUNT LID / 4 BOLT / NO EMS / BLANK LOGO	JD173018	SGL	FM	BD4	000	JD173018-SGL-FM-BD4-000-BLANK
17X30X18 BOX W/ GREEN OVERLAP LID / 4 BOLT / NO EMS / BLANK LOGO	JD173018	SGL	OL	BD4	000	JD173018-SGL-OL-BD4-000-BLANK
17X30X18 BOX W/ GREEN FLUSHMOUNT LID / 4 BOLT / EMS / BLANK LOGO	JD173018	SGL	FM	BD4	EMS	JD173018-SGL-FM-BD4-EMS-BLANK



# JD1730 SERIES

**JD173118** 17" X 30" X 18" **BASE ONLY**

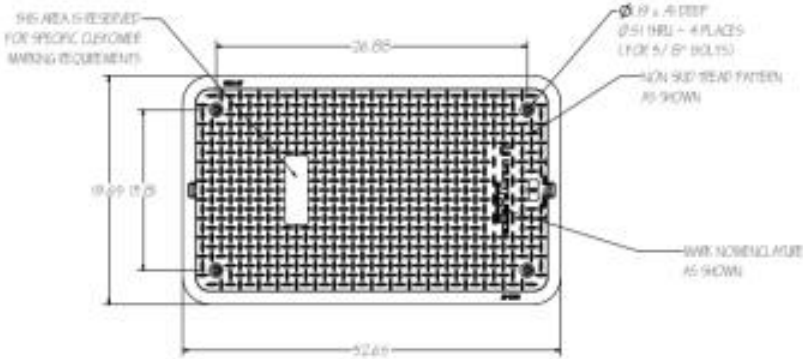
**JD173118-KIT** 17" X 30" X 18" KIT ASSEMBLY FOR REVERSE STACKING  
HARDWARE INCLUDED IN KIT



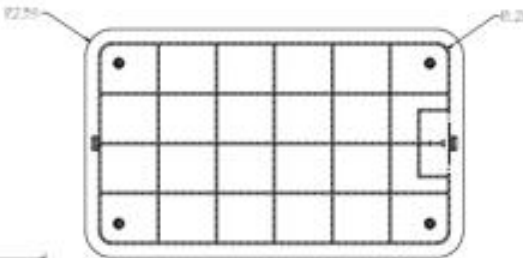
# JD1730 SERIES

**JD1732-FM** 17" X 30" *FLUSHMOUNT LID ONLY*

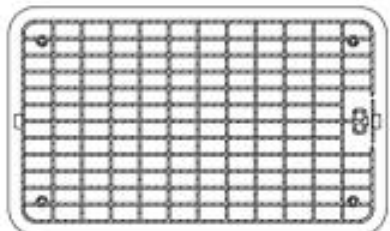
**JD1732-OL** 17" X 30" *OVERLAP LID ONLY*



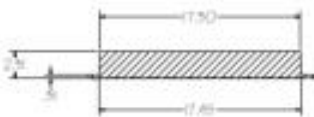
**JD1732**



SECTION C-C  
SCALE 1/4



SECTION B-B  
SCALE 1/4



SECTION A-A  
SCALE 1/4



**LID COLOR**  
SGL – GREEN  
SBL – BLACK  
SPR – PURPLE  
STN – TAN  
SGY - GRAY

**LID TYPE**  
FM = Flush-mount  
OL = Overlapping

**BOLT TYPE**  
BD0 = none  
BD1 = 1 Bolt  
BD2 = 2 Bolt  
BD4 = 4 Bolt

**EMS MARKER**  
000 - NONE  
EMS - YES

**LID LABEL**  
BLANK  
TELCO  
FIBER  
BROADBAND  
ELECTRIC

CUSTOM NAME =  
SPELLED OUT

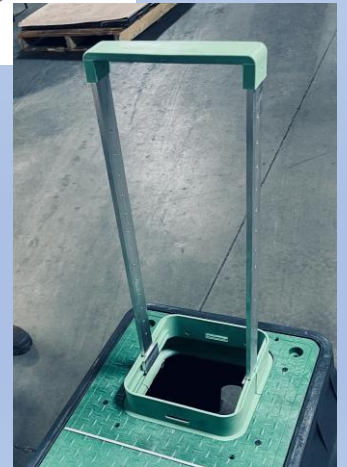
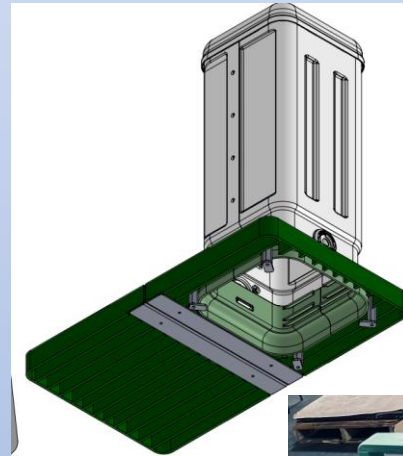
**EXAMPLE = JD173018-SGL-FM-BD2-EMS-FIBER**

This would be a 17" X 30" X 18" BOX with Green Lid, Flush-mount, 2 bolts, EMS installed and Fiber logo

# JD173018 SERIES

DESCRIPTION	BASIC PART #	LID COLOR	LID TYPE	ORDERING PART #
17X30X18 BOX / BASE ONLY	JD173118			JD173118
17X30 / GREEN LID ONLY (FLUSHMOUNT)	JD1732	SGL	FM	JD1732-SGL-FM
17X30 / GREEN LID ONLY (OVERLAP)	JD1732	SGL	OL	JD1732-SGL-OL
17X30X18 BLACK BOTTOM & ACC BOLTS	JD173118-KIT			JD173118-KIT
17x30x18 MOUSE HOLE INSERT	JD1730-MH-INS			JD1730-MH-INS
1731 BASE W/ SPLIT LID & UP-PED-1212-001				JD-173018-SPGL-OL W/ UP-PED-1212-01

*Not all part numbers are listed*



JD-173018-SPGL-OL W/ UP-PED-1212-01

# JD122012 SERIES



**DIMENSIONS:**

FLUSHMOUNT LID =	14" X 20"
OVERLAP LID =	15" X 21"
DEPTH =	12"
FLARED BASE =	20" X 26"

**DETAILS:**

- Material: UV Stabilized Polypropylene
- Estimated Weight: 8lb. 9 oz. plus 1 lb. 12 oz. lid
- Base Color: Black
- Lid Color: Green, Tan or Gray
- Custom logo available for lid
- OPTIONAL Mouseholes and knockouts for pipe configurations
- ASTM C857: Pedestrian, light duty nonvehicular traffic situations only. Actual load rating varies by box and lid combination
- Made in the U.S.A.
- Reverse Stackable to gain 24" depth – no hardware needed

**JD1221 – BASE ONLY**

ALLOWS FOR REVERSE STACK AND GAIN A TOTAL 24" DEPTH.

PART# JD1221

NO HARDWARE NEEDED

SHIPS SEPARATE FROM JD1220

SHIPS 56 PER PALLET



**1 BOLT OPTION ON JD1220 – SHOWN ABOVE**

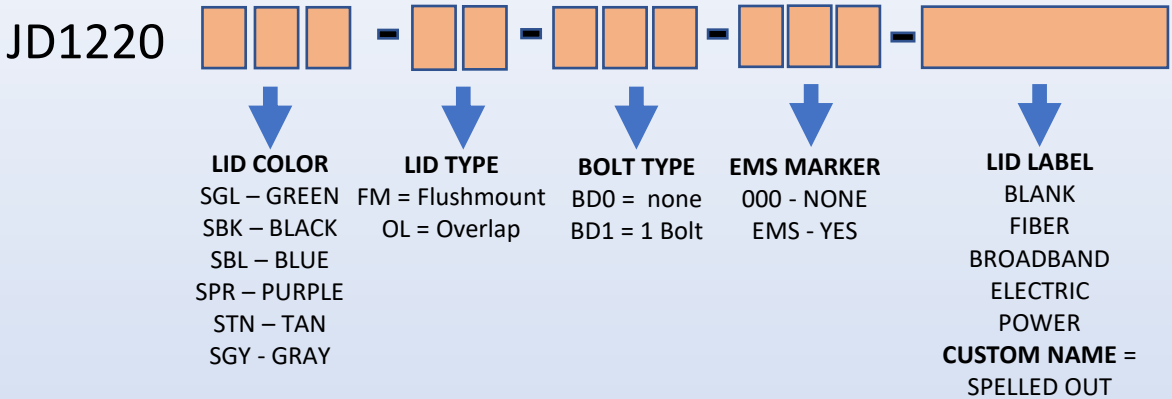
DESCRIPTION	BASIC PART #	LID COLOR	LID TYPE	BOLT CONFIG	EMS	ORDERING PART #
14X20X12 BOX W/ GREEN FLUSHMOUNT LID / NON-LOCKING / NO EMS / BLANK LOGO	JD122012	SGL	FM	BD0	000	JD122012-SGL-FM-BD0-000-BLANK
14X20X12 BOX W/ GREEN OVERLAP LID / NON-LOCKING / NO EMS / BLANK LOGO	JD122012	SGL	OL	BD0	000	JD122012-SGL-OL-BD0-000-BLANK
14X20X12 BOX W/ GREEN FLUSHMOUNT LID / LOCKING / NO EMS / BLANK LOGO	JD122012	SGL	FM	BD1	000	JD122012-SGL-FM-BD1-000-BLANK
14X20X12 BOX W/ GREEN OVERLAP LID / LOCKING / NO EMS / BLANK LOGO	JD122012	SGL	OL	BD1	000	JD122012-SGL-OL-BD1-000-BLANK
14X20X12 BOX W/ GREEN FLUSHMOUNT LID / LOCKING / EMS / BLANK LOGO	JD122012	SGL	FM	BD1	EMS	JD122012-SGL-FM-BD1-EMS-BLANK
14X20X12 BOX W/ GREEN OVERLAP LID / LOCKING / EMS / BLANK LOGO	JD122012	SGL	OL	BD1	EMS	JD122012-SGL-OL-BD1-EMS-BLANK
14X20X12 BOX W/ GREEN FLUSHMOUNT LID / LOCKING / EMS / FIBER	JD122012	SGL	FM	BD1	EMS	JD122012-SGL-FM-BD1-EMS-FIBER

*Not all part numbers are listed*



# JD122012 SERIES

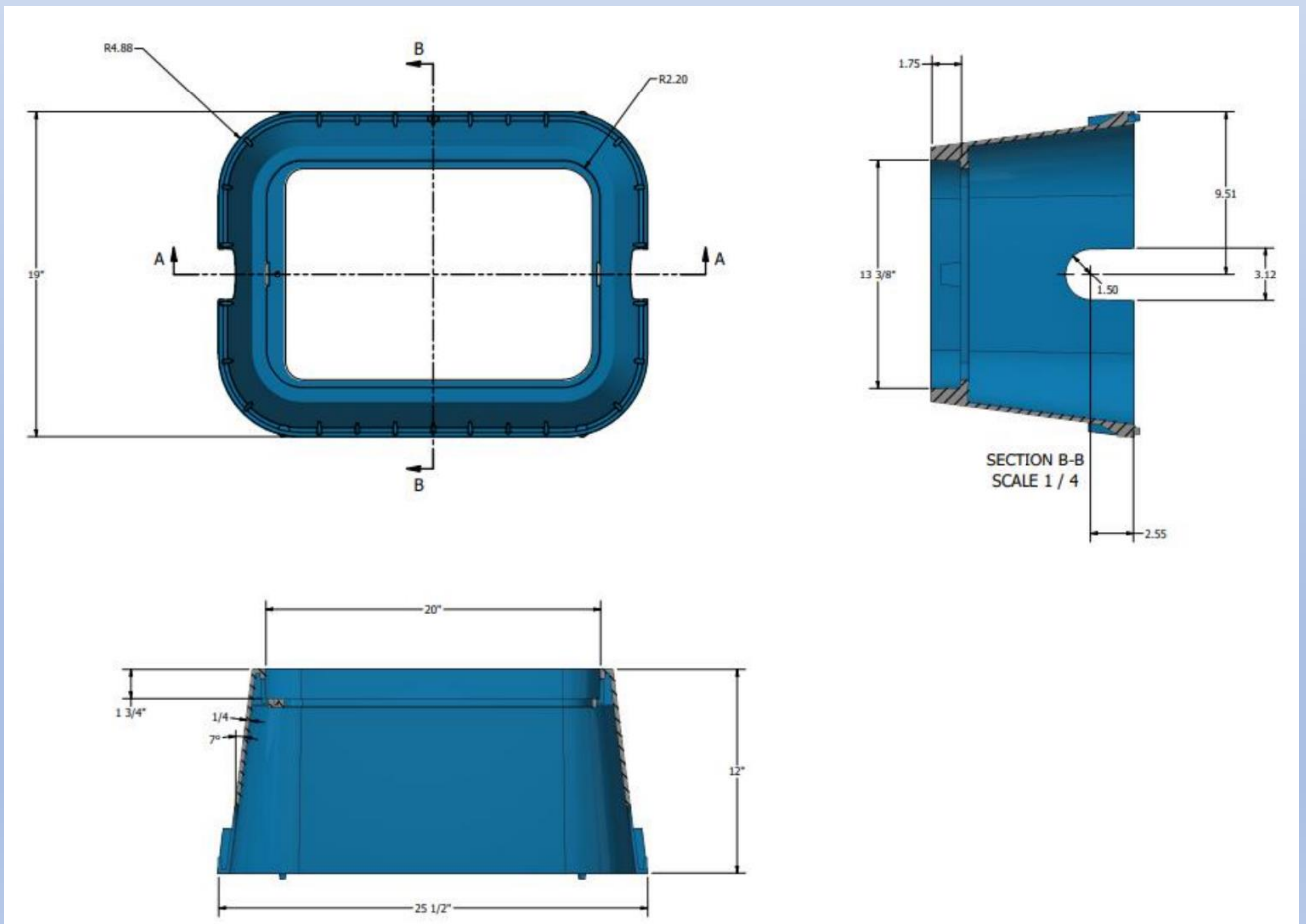
## ORDERING GUIDE



### EXAMPLE = JD1220-SGL-FM-BD1-EMS-FIBER

This would be a 14" x 20" x 12" BOX with Green Lid, Overlap, locking, EMS installed and Fiber logo

## SPECIFICATIONS



# JD2100 SERIES



## DIMENSIONS:

FLUSHMOUNT LID =	10" X 15"
OVERLAP LID =	11" X 16"
DEPTH =	12"
FLARED BASE =	16" X 21"

## DETAILS:

- Material: UV Stabilized Polypropylene
- Estimated Weight: 6 lb. 10 oz. plus 1 lb. 12 oz. lid
- Base Color: Black
- Lid Color: Green, Black, Blue, Purple, Gray, Tan
- Custom logo available to be stamped in lid
- EMS marker available for locating purposes
- Mouseholes and knockouts for pipe configurations
- ASTM C857: Pedestrian, light duty non-vehicular traffic situations only. Actual load rating varies by box and lid combination



**NEW FOR 2023!**

**PART # JD2100-6EXT**

6" EXTENSION ALLOWING AN INTERNAL DEPTH OF 18" WHEN INSTALLED ATOP ANY OF THE JD2100 SERIES BOX LINE

NO HARDWARE NEEDED

SHIPS SEPARATE FROM JD2100

**JD2100-SGL-FM-BD0-000-BLANK Shown with JD2100-6EXT**

DESCRIPTION	BASIC PART #	LID COLOR	LID TYPE	BOLT CONFIG	EMS	ORDERING PART #
10X15X12 BOX W/ GREEN FLUSHMOUNT LID / NON-LOCKING / NO EMS / BLANK LOGO	JD2100	SGL	FM	BD0	000	JD2100-SGL-FM-BD0-000-BLANK
10X15X12 BOX W/ GREEN OVERLAP LID / NON-LOCKING / NO EMS / BLANK LOGO	JD2100	SGL	OL	BD0	000	JD2100-SGL-OL-BD0-000-BLANK
10X15X12 BOX W/ GREEN FLUSHMOUNT LID / LOCKING / NO EMS / BLANK LOGO	JD2100	SGL	FM	BD1	000	JD2100-SGL-FM-BD1-000-BLANK
10X15X12 BOX W/ GREEN OVERLAP LID / LOCKING / NO EMS / BLANK LOGO	JD2100	SGL	OL	BD1	000	JD2100-SGL-OL-BD1-000-BLANK
10X15X12 BOX W/ GREEN FLUSHMOUNT LID / LOCKING / EMS / BLANK LOGO	JD2100	SGL	FM	BD1	EMS	JD2100-SGL-FM-BD1-EMS-BLANK
10X15X12 BOX W/ GREEN OVERLAP LID / LOCKING / MS / BLANK LOGO	JD2100	SGL	OL	BD1	EMS	JD2100-SGL-OL-BD1-EMS-BLANK
10X15X12 BOX W/ GREEN FLUSHMOUNT LID / LOCKING / EMS / FIBER LOGO	JD2100	SGL	FM	BD1	EMS	JD2100-SGL-FM-BD1-EMS-FIBER
10X15X12 BOX W/ GREEN OVERLAP LID / LOCKING / EMS / FIBER LOGO	JD2100	SGL	OL	BD1	EMS	JD2100-SGL-OL-BD1-EMS-FIBER

*Not all part numbers are listed*

# JD2100 SERIES

## ORDERING GUIDE

JD2100

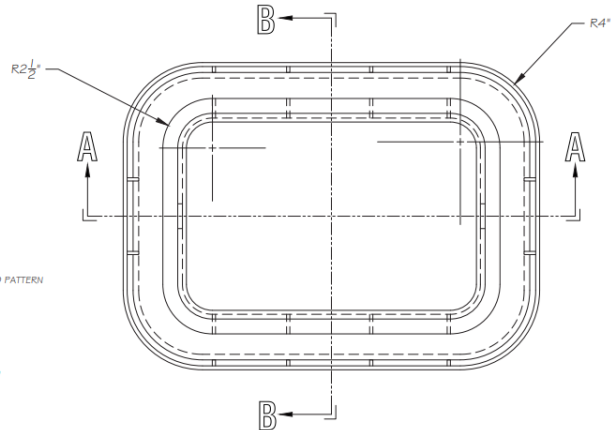
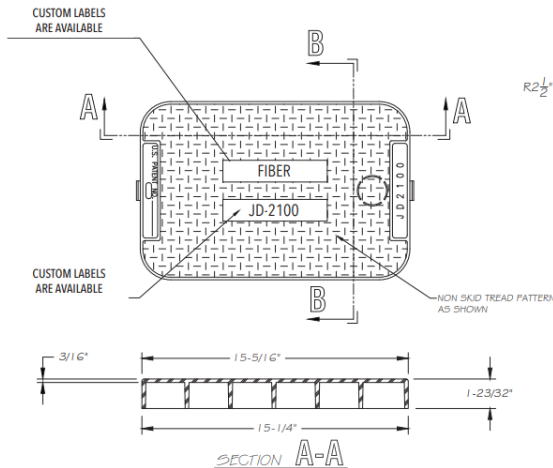
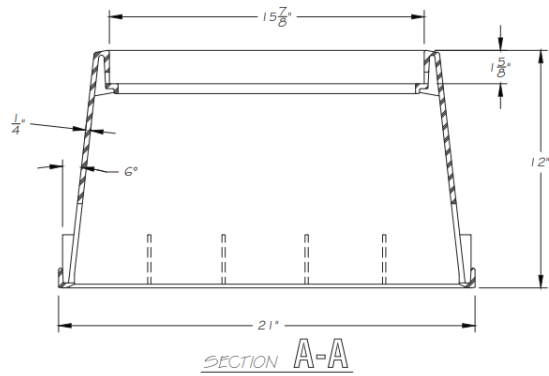
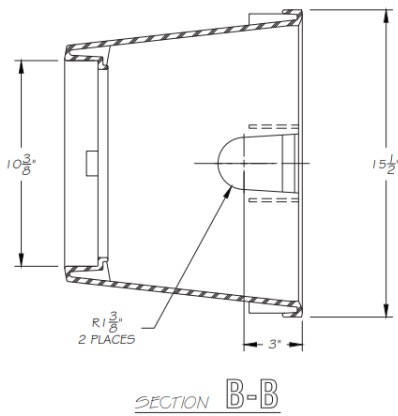


↓	↓	↓	↓	↓
<b>LID COLOR</b>	<b>LID TYPE</b>	<b>BOLT TYPE</b>	<b>EMS MARKER</b>	<b>LID LABEL</b>
SGL – GREEN SBK – BLACK SBL – BLUE SPR – PURPLE STN – TAN SGY - GRAY	FM = Flushmount OL = Overlap	BD0 = none BD1 = 1 Bolt	000 - NONE EMS - YES	BLANK FIBER BROADBAND ELECTRIC POWER <b>CUSTOM NAME = SPELLED OUT</b>

### EXAMPLE = JD2100-SGL-FM-BD1-EMS-FIBER

This would be a 11" X 16" X 12" BOX with Green Lid, Flush-mount, locking, EMS installed and Fiber logo

## SPECIFICATIONS

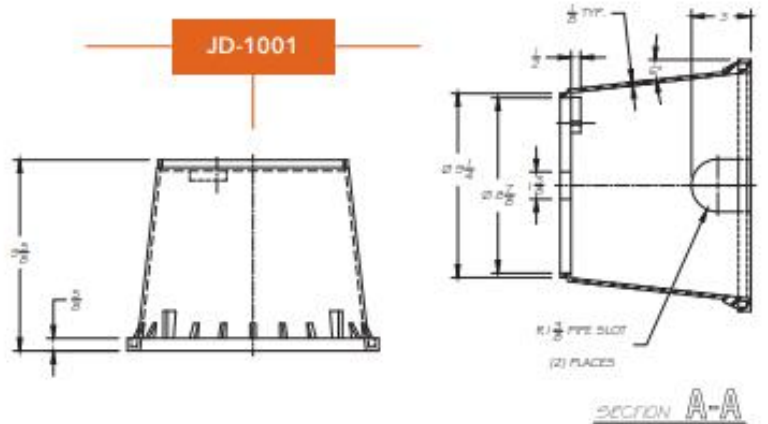
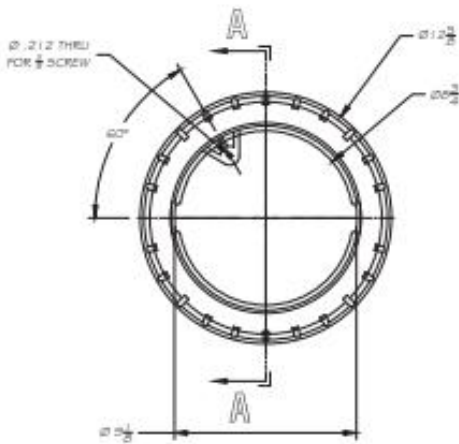


# JD1000 SERIES

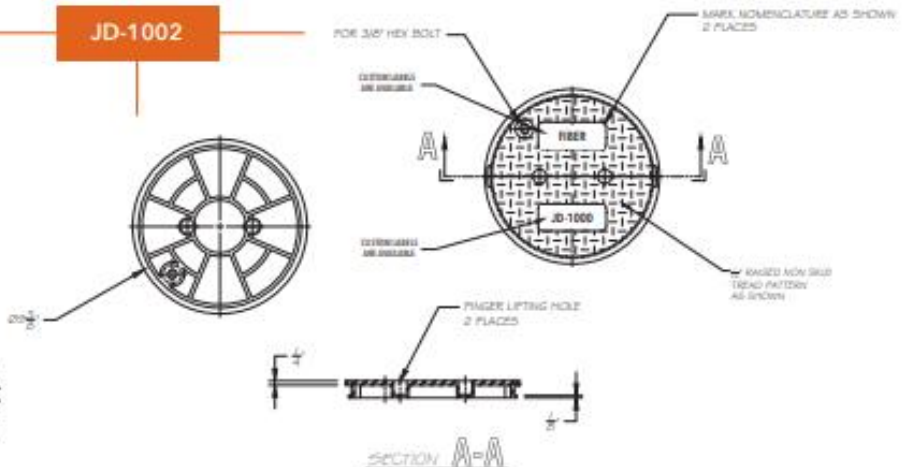
## JD-1000 SERIES | FEATURES AND SPECIFICATIONS



- Material: UV Stabilized Polypropylene
- Estimated Weight: 1 lb. 12 oz. plus 0 lb. 9.5 oz
- Base Color: Black
- Lid Color: Green; Also available in Black or Purple upon request
- Reinforced bottom edge for retained shape
- Roller collar for proper fit of lid
- Twist-Lock Lid for preventing mower suction and blade damage
- Mouseholes and knockouts for pipe configurations
- ASTM C857: Pedestrian, light duty non-vehicular traffic situations only. Actual load rating varies by box and lid combination
- Field modifications with any cutting tool



JD-1002





# JD1000 SERIES

DESCRIPTION	BASIC PART #	LID TYPE	BOLT CONFIG	EMS	CUSTOM LOGO	ORDERING PART #
10" FLOWERPOT	JD1000	OL	BD0			JD1000-OL-BD0
10" FLOWERPOT	JD1000	OL	BD0		BLANK	JD1000-OL-BD0-BLANK
10" FLOWERPOT – LOCKING	JD1000	OL	BD1			JD1000-OL-BD1
10" FLOWERPOT – LOCKING / BLANK	JD1000	OL	BD1		BLANK	JD1000-OL-BD1-BLANK
10" FLOWERPOT – LOCKING & EMS	JD1000	OL	BD1	EMS		JD1000-OL-BD1-EMS
10" FLOWERPOT – LOCKING/EMS/BLANK	JD1000	OL	BD1	EMS	BLANK	JD1000-OL-BD1-EMS-BLANK
10" FLOWERPOT – EMS	JD1000	OL	BD0	EMS	BLANK	JD1000-OL-BD0-EMS-BLANK
10" FLOWERPOT – LOCKING / FIBER	JD1000	OL	BD0	000	FIBER	JD1000-OL-BD0-000-FIBER
10" FLOWERPOT – BASE ONLY	JD1001					JD1001
10" FLOWERPOT – LID ONLY	JD1002					JD1002
10" FLOWERPOT HAND TOOL						JD1002-HT
7" FLOWERPOT	JD7000					JD7000
6" FLOWERPOT	JD6000					JD6000

*Not all part numbers are listed*



**NEW FOR 2024'**

**JD1000-T8-GRY-BD1-BLANK**

**TIER 8 RATED / GRAY OL LID**

# EMS MARKER



## UP-EMS | FEATURES AND SPECIFICATIONS

- Dimensions: 3.780 inch diameter; 0.860 inch height
- Color: Orange
- Burial Depth: 3.5 feet
- Marker Function: Passive
- Marker Range: 3.5 feet

