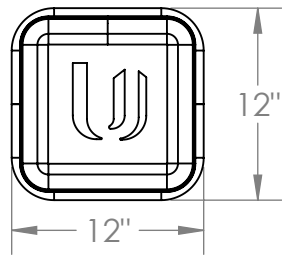


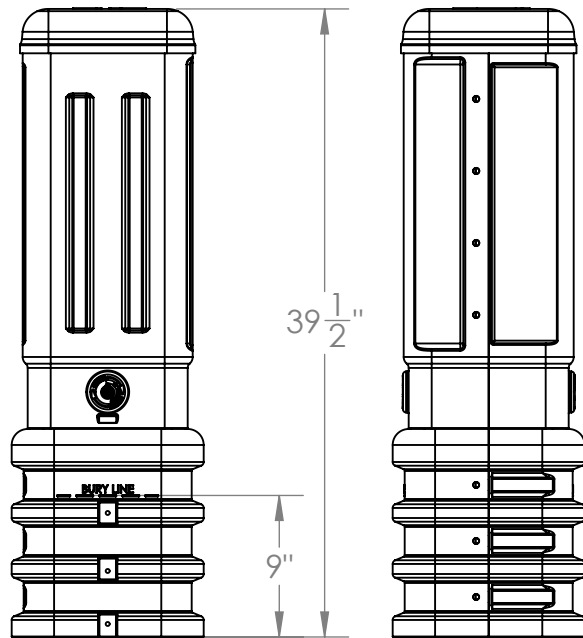
2

ITEM	PART NUMBER	DESCRIPTION	
1	12in base half	Molded PPGF	2
2	Pedestal half REV5	Molded PPGF	2
3	Bridge REV2	Molded PP	1
4	Yoke bar	Ag Machined bar	2
5	Snap override cam REV1	Molded NGF	2
6	9044K178 Extension Spring	Cam return spring	2
7	98410A128 Snap ring		2
8	91102A740 Zinc plated Washer		1
9	90316A829 Hex slotted head screw		1
10	Yoke bar support		1
11	Pedestal lid REV5	Molded PPGF	1

B

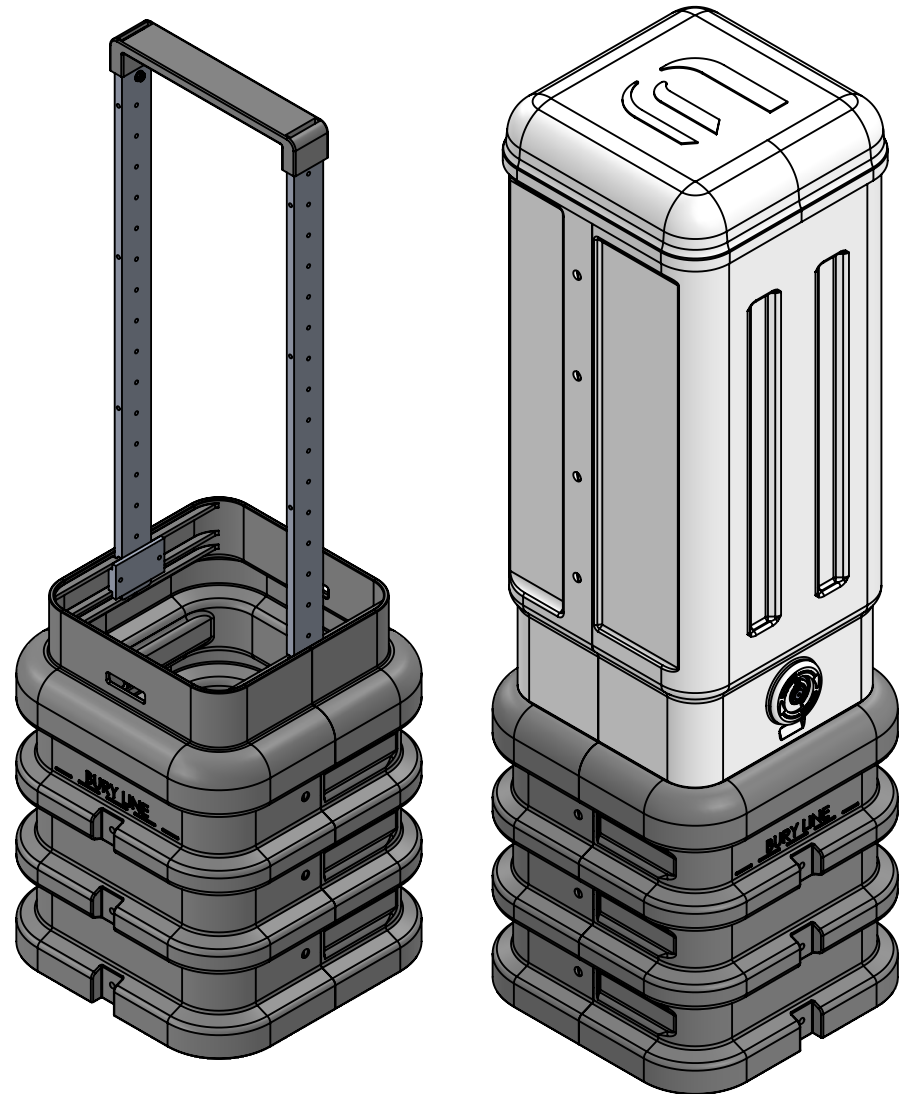


A



2

1



B

A

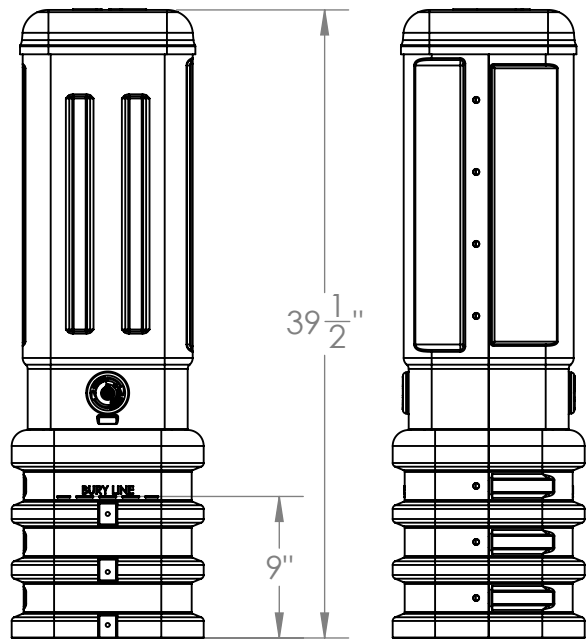
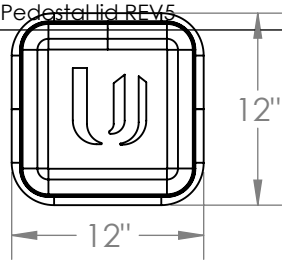
Config: UP-PED-1212
Yoke bars, bridge

SIZE	DWG. NO.	REV
A	12in box assy_CONFIG	
		SHEET 1 of 10

1

2

ITEM	PART NUMBER	DESCRIPTION	
1	12in base half	Molded PPGF	2
2	Pedestal half REV5	Molded PPGF	2
3	Bridge REV2	Molded PP	1
4	Yoke bar	Ag Machined bar	2
5	U Bracket	Ag formed tie plate	2
6	H Bar	Ag formed support bracket	1
7	Snap override cam REV1	Molded NGF	2
8	9044K178 Extension Spring	Cam return spring	2
9	98410A128 Snap ring		2
10	91102A740 Zinc plated Washer		12
11	90316A829 Hex slotted head screw		12
12	Yoke bar support		1
13	Pedestal lid REV5	Molded PPGF	1

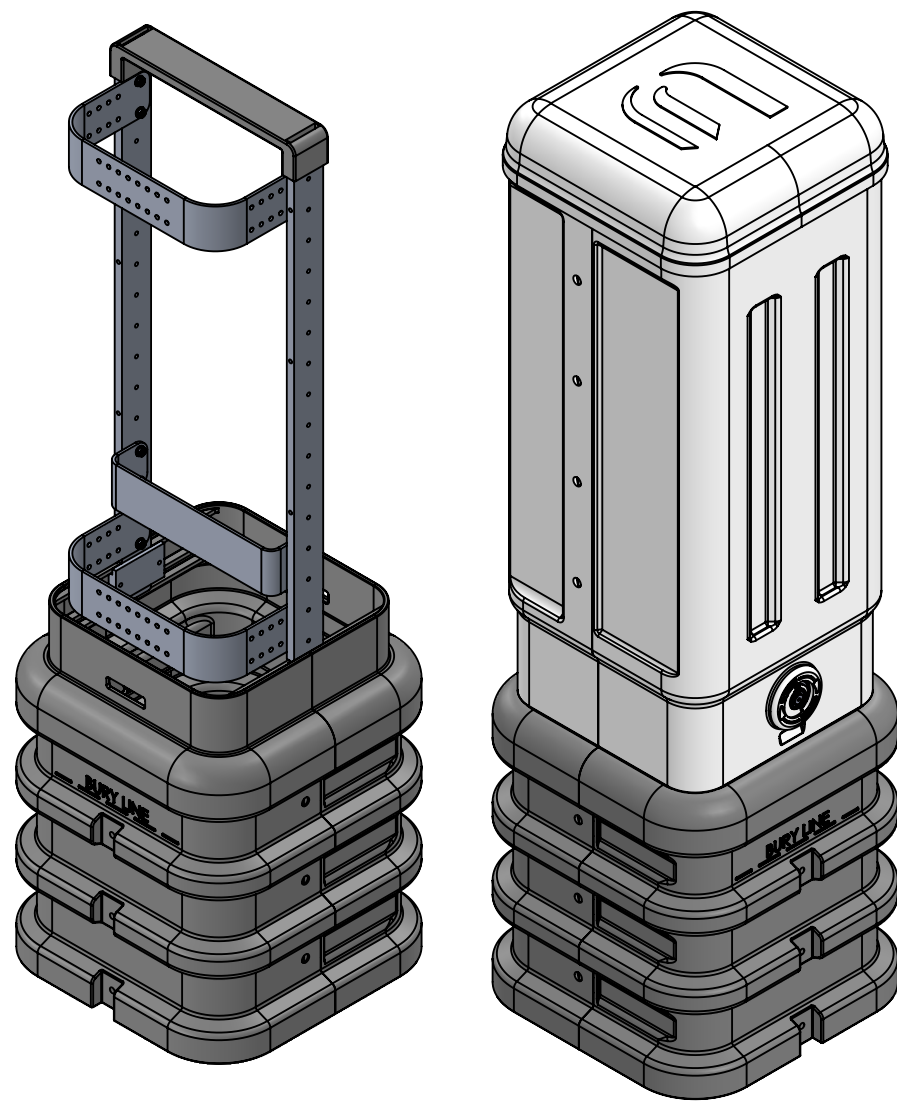


B

A

2

1



B

A

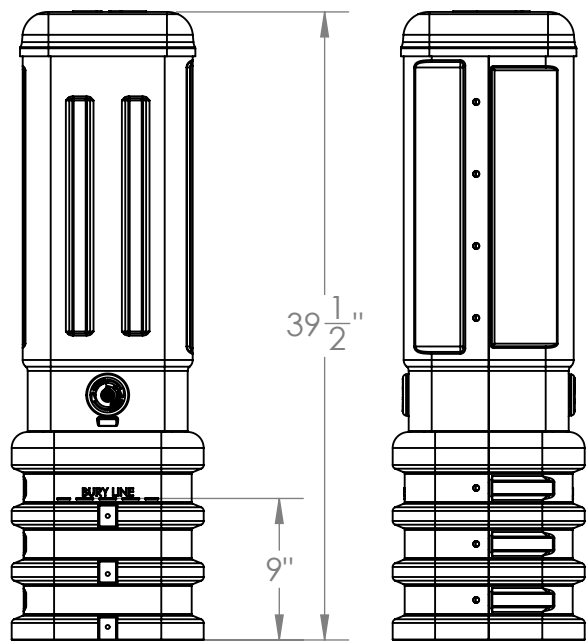
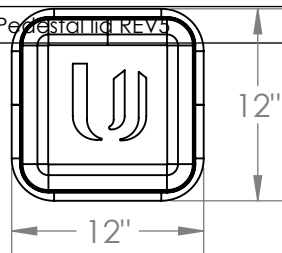
Config: UP-PED-1212-001
Yoke bars, bridge, U Bracket, H Bar

SIZE	DWG. NO.	REV
A	12in box assy_CONFIG	
		SHEET 2 of 10

1

2

ITEM	PART NUMBER	DESCRIPTION	QTY
1	12in base half	Molded PPGF	2
2	Pedestal half REV5	Molded PPGF	2
3	Bridge REV2	Molded PP	1
4	Yoke bar	Ag Machined bar	2
5	SM Back plane	AG Half perf plate	1
6	Cable guide	AG wire tie plate	2
7	LGX Bracket	Ag formed bracket	1
8	Snap override cam REV1	Molded NGF	2
9	9044K178 Extension Spring	Cam return spring	2
10	98410A128 Snap ring		2
11	91102A740 Zinc plated Washer		12
12	90316A829 Hex slotted head screw		12
13	Yoke bar support		1
14	Pedestal half REV5	Molded PPGF	1

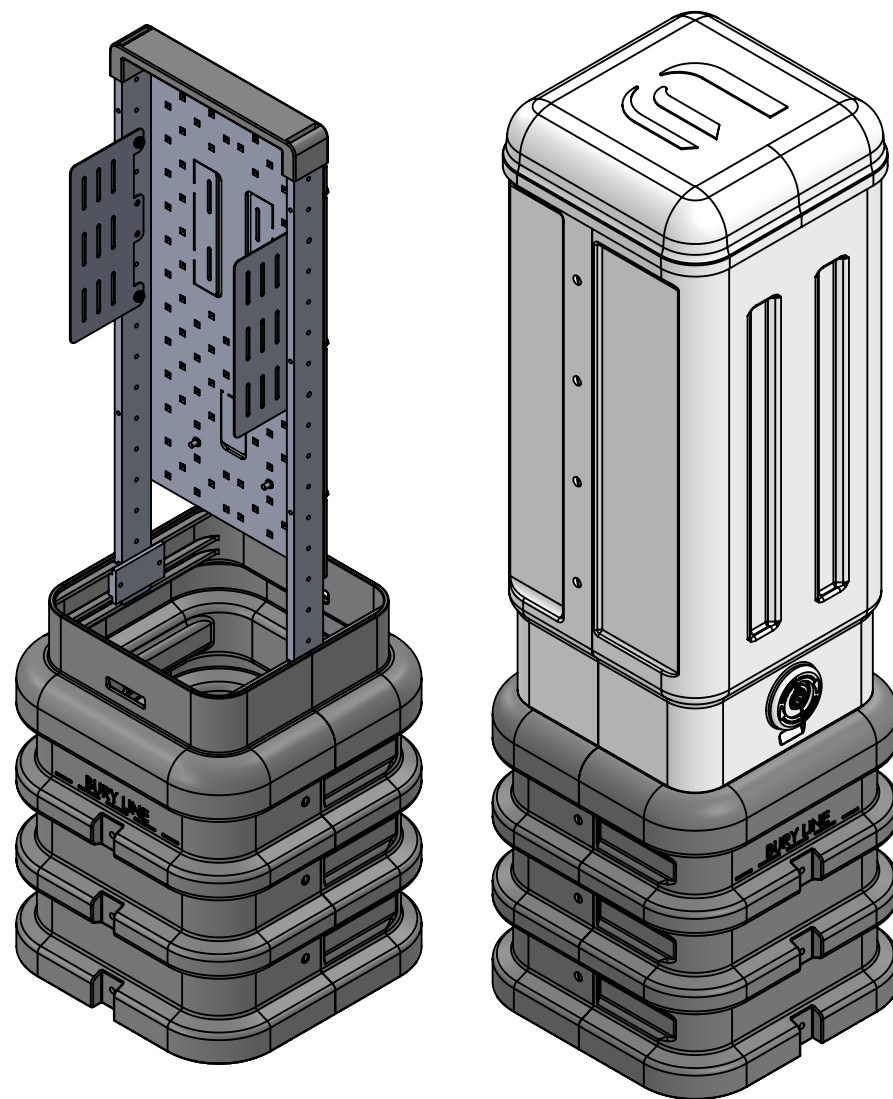


B

A

2

1



B

A

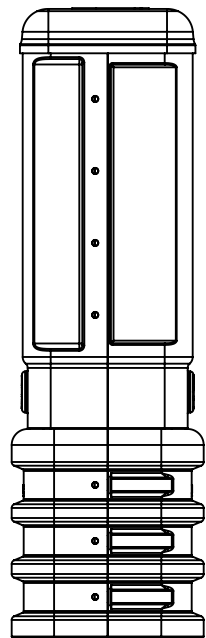
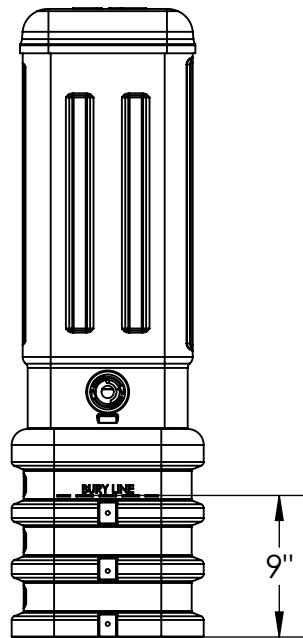
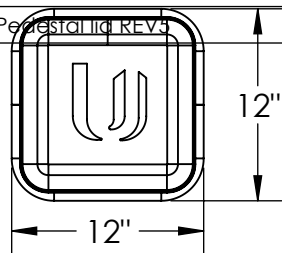
Config: UP-PED-1212-003
Back plane, LGX bracket, 2x cable guides

SIZE	DWG. NO.	REV
A	12in box assy_CONFIG	
		SHEET 3 of 10

1

2

ITEM	PART NUMBER	DESCRIPTION	QTY
1	12in base half	Molded PPGF	2
2	Pedestal half REV5	Molded PPGF	2
3	Bridge REV2	Molded PP	1
4	Yoke bar	Ag Machined bar	2
5	SM Back plane	AG Half perf plate	1
6	Cable guide	AG wire tie plate	2
7	LGX Bracket	Ag formed bracket	1
8	Snap override cam REV1	Molded NGF	2
9	9044K178 Extension Spring	Cam return spring	2
10	98410A128 Snap ring		2
11	91102A740 Zinc plated Washer		12
12	90316A829 Hex slotted head screw		12
13	Yoke bar support		1
14	Pedestal half REV3	Molded PPGF	1



B

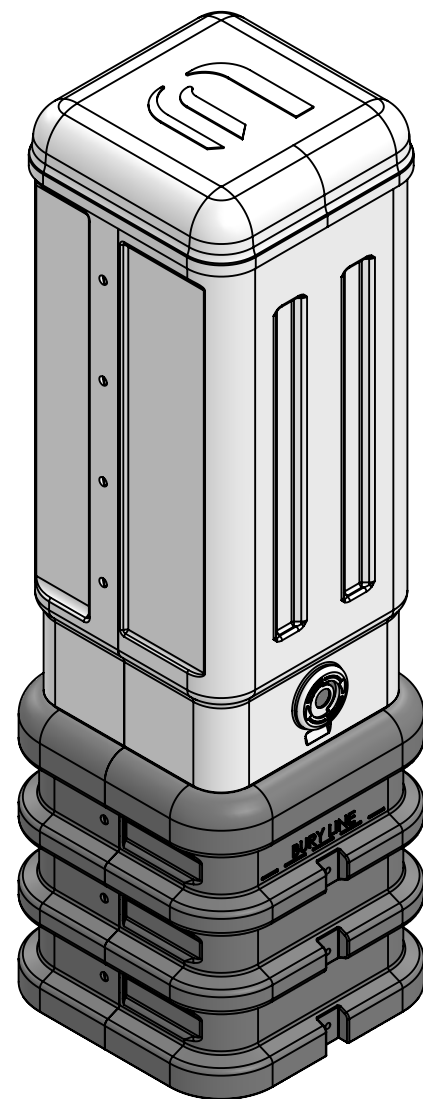
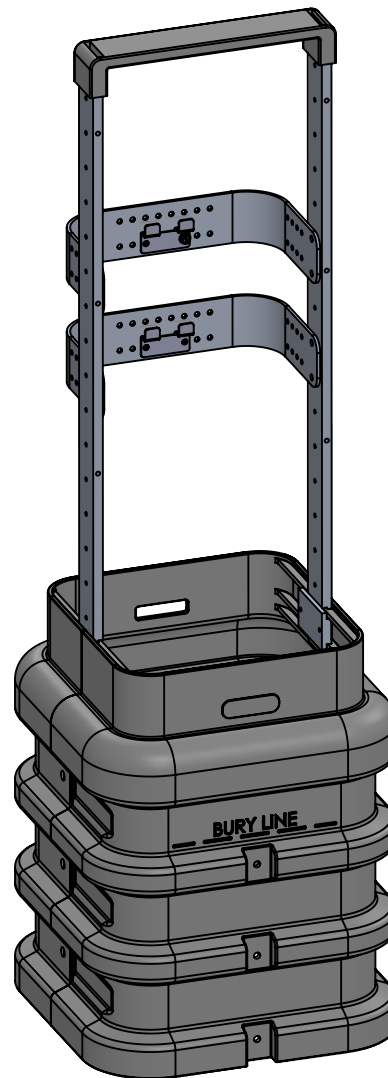
B

A

A

2

1



Config: UP-PED-1212-004
Novux mounting brackets

SIZE	DWG. NO.	REV
A	12in box assy_CONFIG	
		SHEET 4 of 10

1